



blaze

blazefireplaces.com.au

CONTENTS

INTRODUCTION	3
Z1 - LEGS & WOODSTACKER	4
Z2 - LEGS, WOODSTACKER & ASH	6
Z3 - LEGS, WOODSTACKER & ASH	8
SUPPORTING COLLATERAL	11

blaze

INTRODUCTION



Step into the world of wood fires with the Blaze Z Series. Bring a modern aesthetic and the simple pleasure of real wood warmth into everyday homes. With its clean, contemporary look and inviting flame presence, a Blaze fire becomes more than a heating choice - it becomes the heart of your home, perfect for unwinding after work, hosting friends, or creating those quiet moments that make a house feel truly lived-in.

Designed in Australia for Australian homes, the Z1, Z2 and Z3 models have been thoughtfully crafted to suit a wide variety of room sizes, interior styles and budgets without compromising on performance.

Reflecting the Blaze mission of being affordably beautiful for every home the Z Series offers practical configuration choices that make selection simple: choose from legs, woodstacker or ashpan to tailor the fireplace to your requirements and complete a homely atmosphere that only a real wood fire can deliver. Heating between 9.2kW to 12.3kW with emissions as low as 0.6g/kg, this range will warm small to medium and large homes.

The Z Series features a clean design language built around simplicity. The refined top plate and updated fascia which introduces a black-bordered glass and a slim steel edged door for a more contemporary aesthetic. The matching brushed stainless steel handles create a seamless, uncluttered look while the floating twin-skin construction adds visual depth and quality across the entire range.



Z1 | LEGS & WOODSTACKER



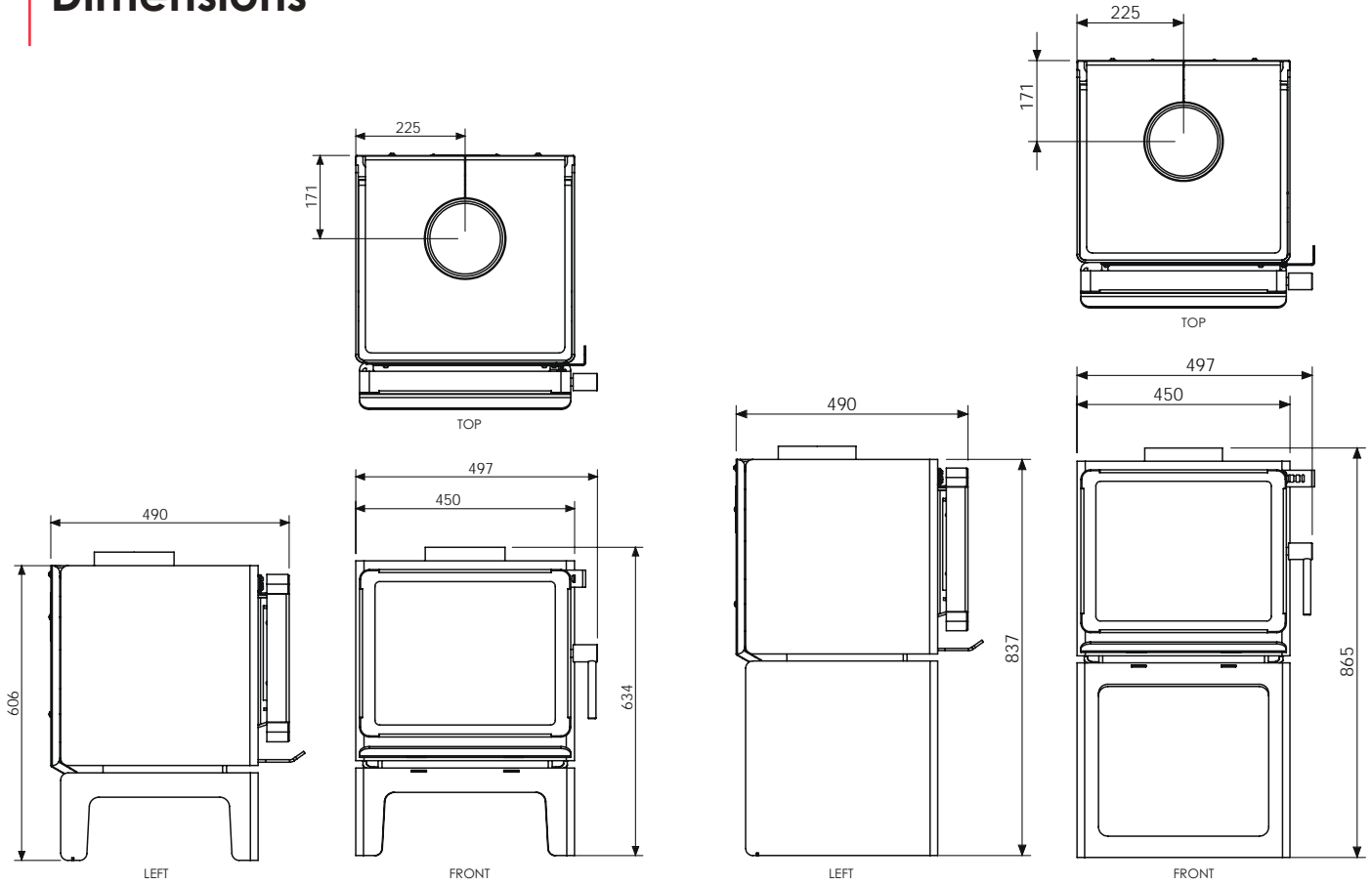
MODEL	COVERAGE	EFFICIENCY	AVE. HEAT OUTPUT	EMISSIONS	MAX LOG SIZE	HEATING STYLE	WEIGHT	FIREBOX SIZE (WDXH)
Z1 Legs	160m ²	65%	10.8kW	0.6g/kg	350mm	Radiant	91kg	390 x 340 x 290
Z1 WS	160m ²	65%	10.8kW	0.6g/kg	350mm	Radiant	107kg	390 x 340 x 290



Z1 PRICE STARTING FROM RRP \$1,099 Inc. GST

Refer to the price list for full details

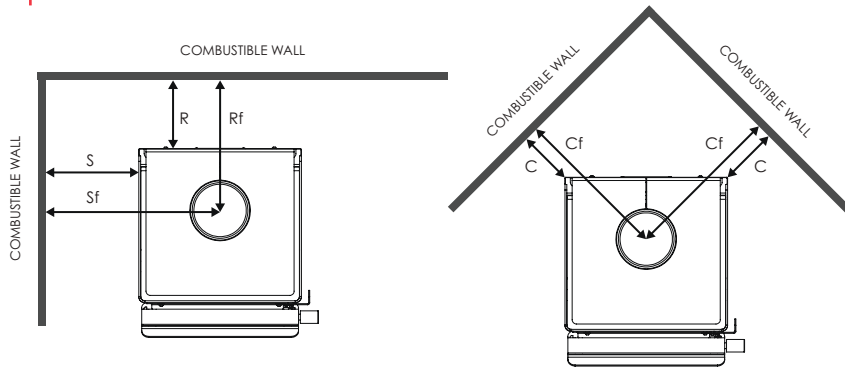
Dimensions



Z1 LEGS

Z1 WOODSTACKER

Clearances



STANDARD INSTALLATION

Solid flue shield OR Single rear shield OR Insulated

S (Side) 700mm

R (Rear) 150mm

Sf (Side to flue) 925mm

Rf (Rear to flue) 321mm

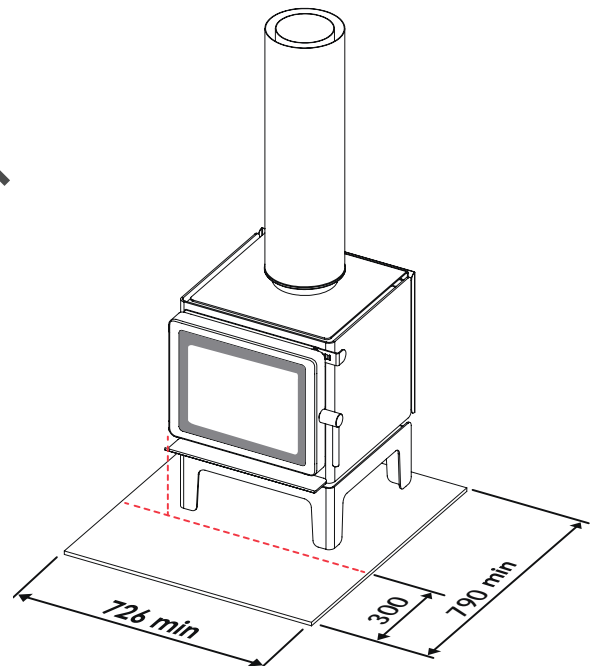
CORNER INSTALLATION

Solid flue shield OR Single rear shield OR Insulated

C (Corner) 450mm

Cf (Corner to flue) 729mm

Floor Protector



All measurements are in mm. Please refer to the latest IOM for unit and installation dimensions

Z2 | LEGS, ASH & WOODSTACKER



MODEL	COVERAGE	EFFICIENCY	AVE. HEAT OUTPUT	EMISSIONS	MAX LOG SIZE	HEATING STYLE	WEIGHT	FIREBOX SIZE (WXDXH)
Z2 Legs	200m ²	67%	9.2kW	1.0g/kg	400mm	Fan Forced Convection	140kg	450 x 350 x 290
Z2 WS	200m ²	67%	9.2kW	1.0g/kg	400mm	Fan Forced Convection	157kg	450 x 350 x 290
Z2 ASH	200m ²	67%	9.2kW	1.0g/kg	400mm	Fan Forced Convection	158kg	450 x 350 x 290

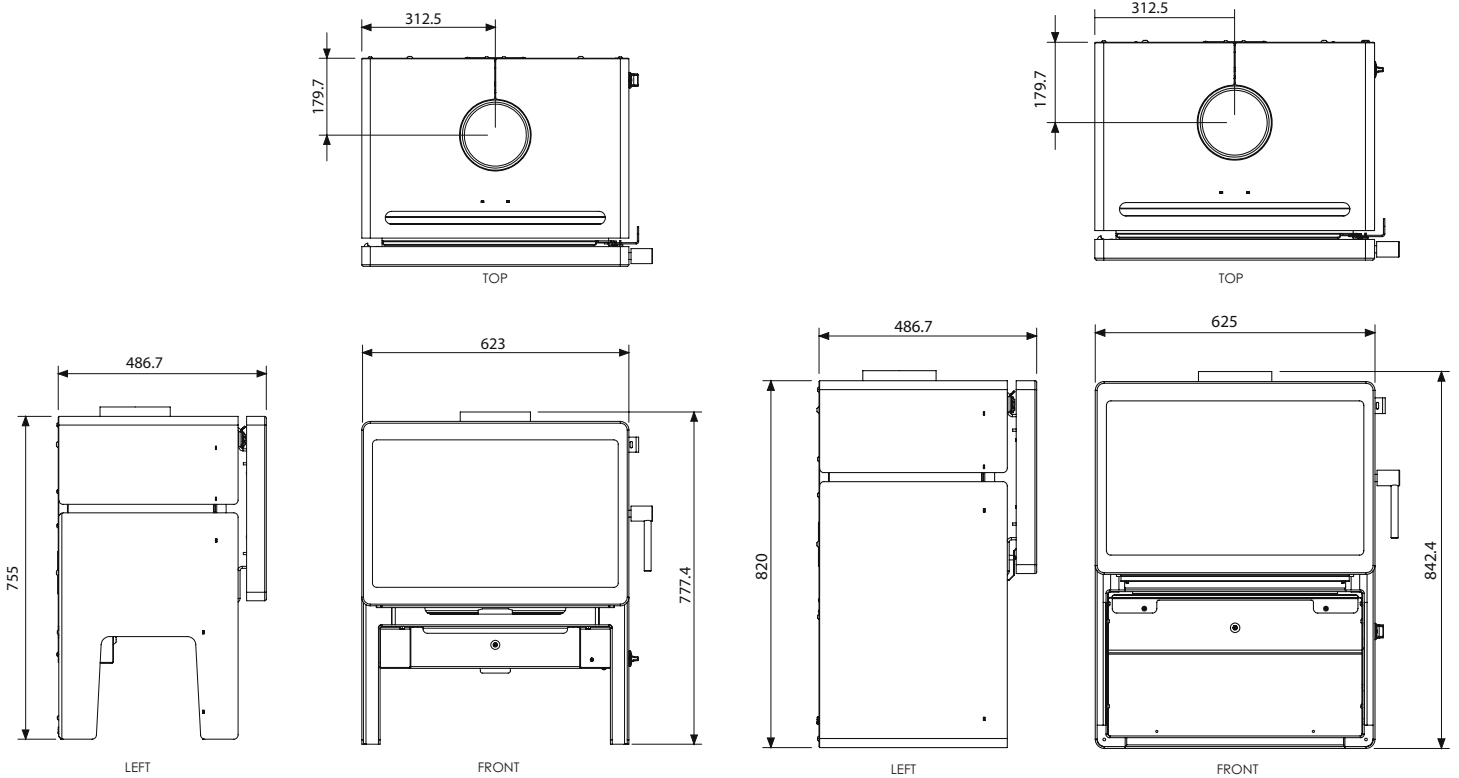
Built-in 3 speed, manual switch operated fan to boost heat circulation



Z2 PRICE STARTING FROM RRP \$2,199 Inc. GST

Refer to the price list for full details

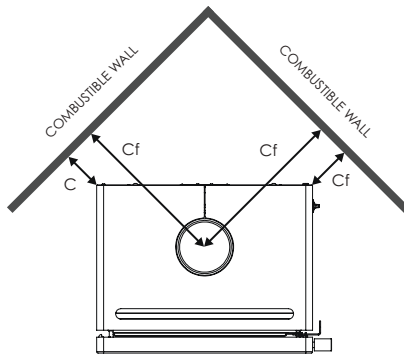
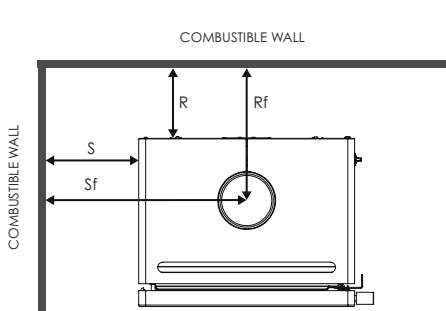
Dimensions



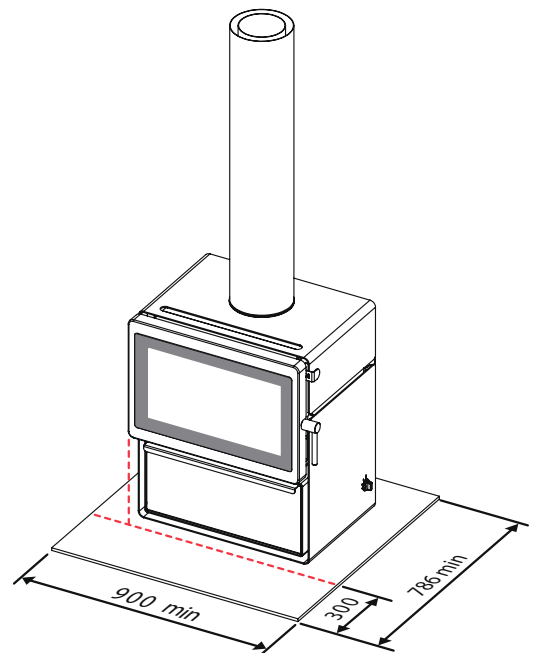
Z2 LEGS & ASH

Z2 WOODSTACKER

Clearances



Floor Protector



STANDARD INSTALLATION		
	Solid flue shield	Insulated
S (Side)	350mm	350mm
R (Rear)	150mm	175mm
Sf (Side to flue)	663mm	663mm
Rf (Rear to flue)	330mm	355mm

CORNER INSTALLATION	
	Solid flue shield OR Insulated
C (Corner)	150mm
Cf (Corner to flue)	498mm

All measurements are in mm. Please refer to the latest IOM for unit and installation dimensions

Z3 | LEGS, ASH & WOODSTACKER



MODEL	COVERAGE	EFFICIENCY	AVE. HEAT OUTPUT	EMISSIONS	MAX LOG SIZE	HEATING STYLE	WEIGHT	FIREBOX SIZE (WxDxH)
Z3 Legs	200-260m ²	63%	12.3kW	0.6g/kg	500mm	Fan Forced Convection	202kg	548 x 368 x 284
Z3 WS	200-260m ²	63%	12.3kW	0.6g/kg	500mm	Fan Forced Convection	225kg	548 x 368 x 284
Z3 ASH	200-260m ²	63%	12.3kW	0.6g/kg	500mm	Fan Forced Convection	226kg	548 x 368 x 284

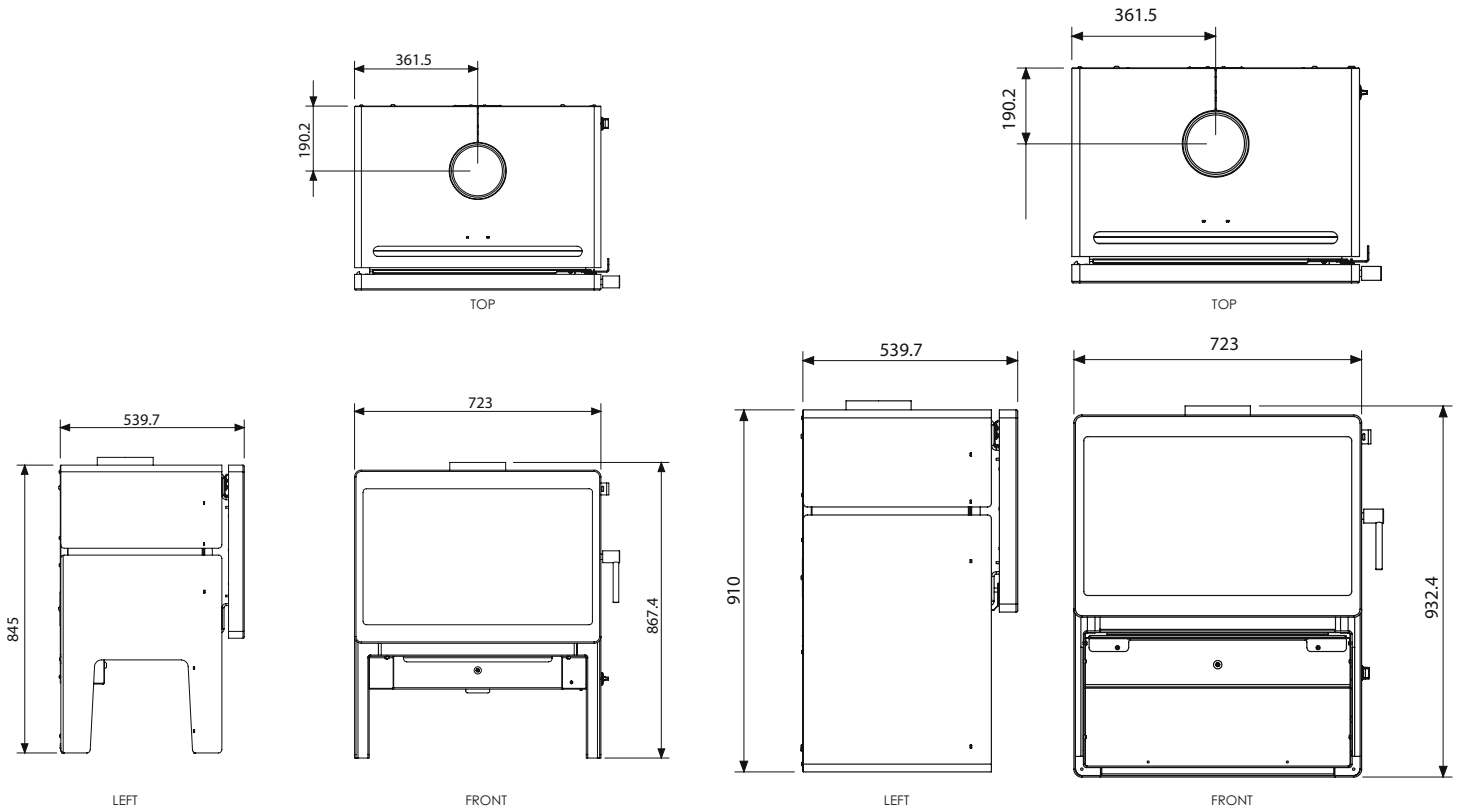
Built-in 3 speed, manual switch operated fan to boost heat circulation



Z3 PRICE STARTING FROM RRP \$2,599 Inc. GST

Refer to the price list for full details

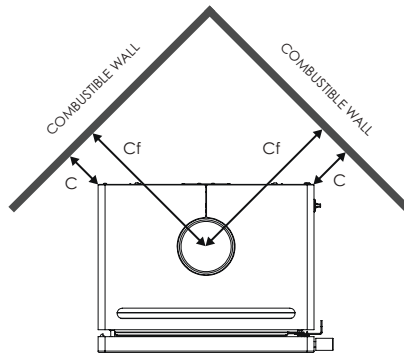
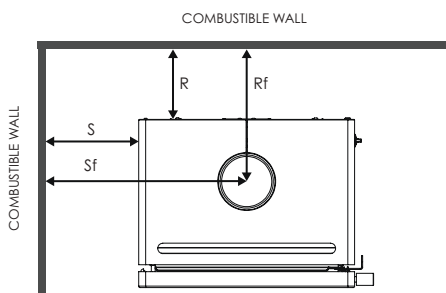
Dimensions



Z3 LEGS & ASH

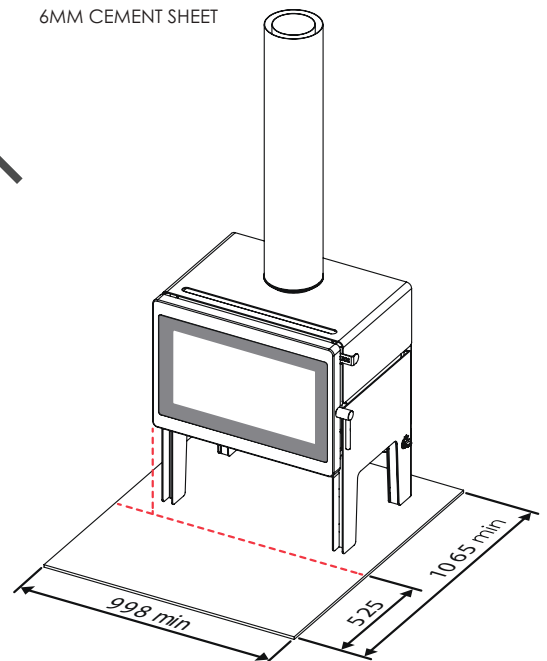
Z3 WOODSTACKER

Clearances



Floor Protector

6MM CEMENT SHEET



REFER TO THE MANUAL FOR OTHER HEARTH OPTIONS

STANDARD INSTALLATION

	Solid flue shield	Insulated
S (Side)	400mm	400mm
R (Rear)	200mm	250mm
Sf (Side to flue)	762mm	762mm
Rf (Rear to flue)	390mm	440mm

CORNER INSTALLATION

	Solid flue shield OR Insulated
C (Corner)	150mm
Cf (Corner to flue)	540mm

All measurements are in mm. Please refer to the latest IOM for unit and installation dimensions





Glen Dimplex Australia
8 Lakeview Drive
Scoresby VIC 3179
T 1300 554 155
glendimplex.com.au