

**stûv**

**[9] S**



The s[6]l is a compact, wood-burning fireplace designed to bring the essential pleasure of fire to smaller spaces. Its clean lines and minimalist form place the flame at the centre, offering a generous view of the flames without visual distraction. Available in freestanding and built-in configurations, it adapts effortlessly to a wide range of interiors while maintaining the purity of the flame.

# The essential fire





#### [ SIMPLE ]

Simplicity guides every decision in the design process. From the refined geometry of the appliance to its streamlined installation, intuitive operation and minimal maintenance requirements, each element is resolved with clarity and purpose.

#### [ PANORAMIC ]

A wide glass window, tapered frame and curved combustion chamber work together to offer a generous view of the fire relative to the unit's size. Uncluttered and precise, the opening brings warmth and movement into the space without visual distraction.

#### [ POWERFUL & EFFECTIVE ]

Despite its compact dimensions, the Stûv 6 delivers impressive performance. Its cast iron combustion chamber is engineered to maximise heat output while maintaining excellent efficiency, providing consistent warmth and an exceptionally clean burn.

#### [ UNIQUE ]

From its distinctive combustion chamber design to its shallow profile and considered details — such as the cool-touch handle and discreet controls — the Stûv 6 stands apart in its class.

#### [ INGENIOUS ]

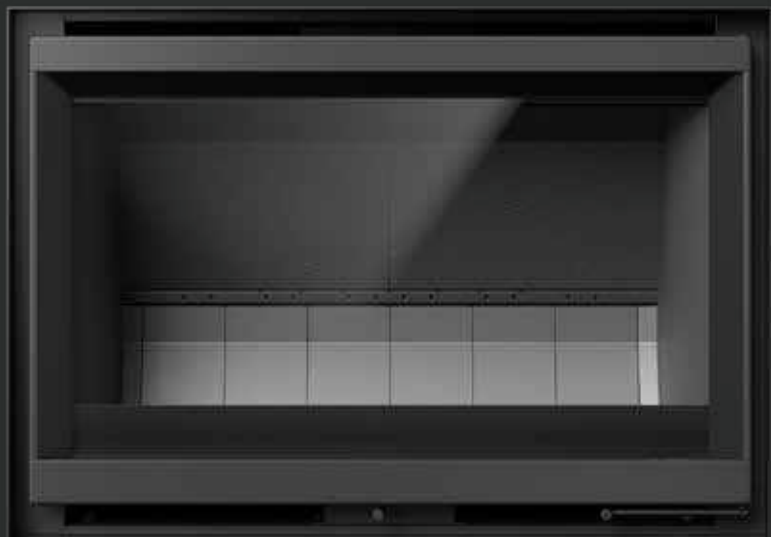
A lightweight support casing separates from the heavier inner combustion chamber, simplifying installation and allowing the appliance to integrate easily into existing hearths and chimneys.

#### [ MULTIFACETED ]

Available in freestanding or built-in configurations and in multiple sizes, the Stûv 6 adapts effortlessly to a wide range of spatial and architectural contexts.

#### [ CLEAN ]

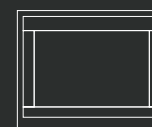
A controlled internal airwash system keeps the glass clear, ensuring the fire remains a consistently crisp focal point within the space.



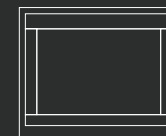
## s[6] - Inserts

---

76/55



86/60



**When you choose Stûv, you can enjoy guaranteed quality and simplicity.**

Engineered to retrofit seamlessly into traditional open fireplaces, the s[6] is available in two insert options.

Combining elegance with performance, each fireplace features a distinctive bevelled door frame and a curved cast-iron combustion chamber that enhances the visual breadth of the flame. When connected via the optional outside air intake, these units deliver exceptional performance - further increasing their efficiency and making them suitable for passive house projects.

# s[6] - Inserts

76/55



86/60



## Performance\*

Output range	6 - 10 kW
Nominal efficiency	62%
Fine particle emissions	0.6g/kg

Output range	8 - 13 kW
Nominal efficiency	68%
Fine particle emissions	1.1g/kg

## Specifications

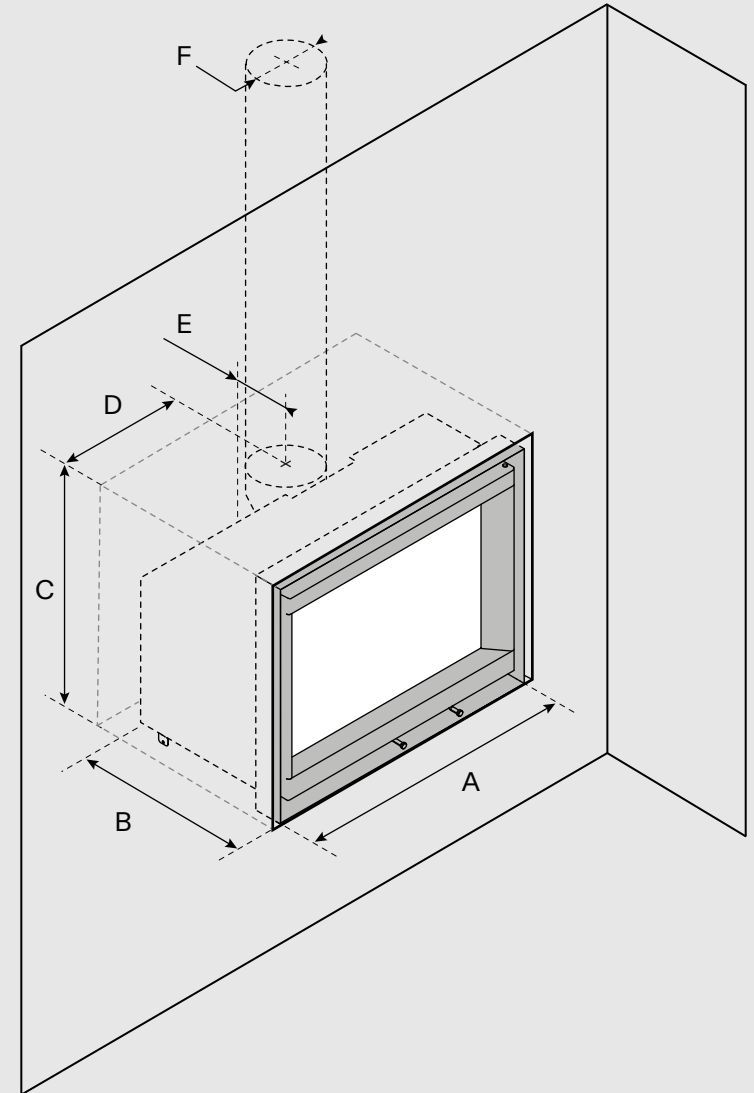
Viewable glass size (mm)	620 × 355
Appliance weight	84 kg
Maximum log length	50 cm
Colour	Stûv Black

Viewable glass size (mm)	820 × 405
Appliance weight	96 kg
Maximum log length	50 cm
Colour	Stûv Black

## Dimensions

A - Width	760 mm
B - Depth	415 mm
C - Height	550 mm
D - Flue axis - side	380 mm
E - Flue axis - rear	100 mm
F - Smoke outlet diameter	150 mm
External air connection diameter	100 mm

A - Width	860 mm
B - Depth	415 mm
C - Height	600 mm
D - Flue axis - side	430 mm
E - Flue axis - rear	100 mm
F - Smoke outlet diameter	180 mm
External air connection diameter	100 mm



\*Australian Standards AS/NZS 4012:2025, AS/NZS 4013:2025, and AS/NZS 2918:2018. Australian Solid Fuel Testing.

## Frames

---

Three finishing frames options make it easy to perfectly integrate your fireplace in your wall.



Thin frame

Model	Size (mm)
76/55	760 × 500
86/60	860 × 500



Fitted frame - 4 sides

Model	Size (mm)
76/55	796 × 567
86/60	896 × 619



Fitted frame - 3 sides

Model	Size (mm)
76/55	794 × 586
86/60	894 × 636



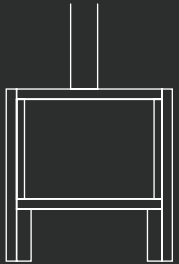
Unmatched  
view of the fire.



## s[6]H - Freestanding

---

66/55



**Unassuming, yet packed with innovations.**

The S[6]H brings the high-performance design of the S[6] insert into a freestanding wood-burning fireplace that blends seamlessly into any space, large or small.

Its contemporary styling and wide fire view enhance your enjoyment, while its gentle radiant warmth envelops the room.

# s[6]H - Freestanding

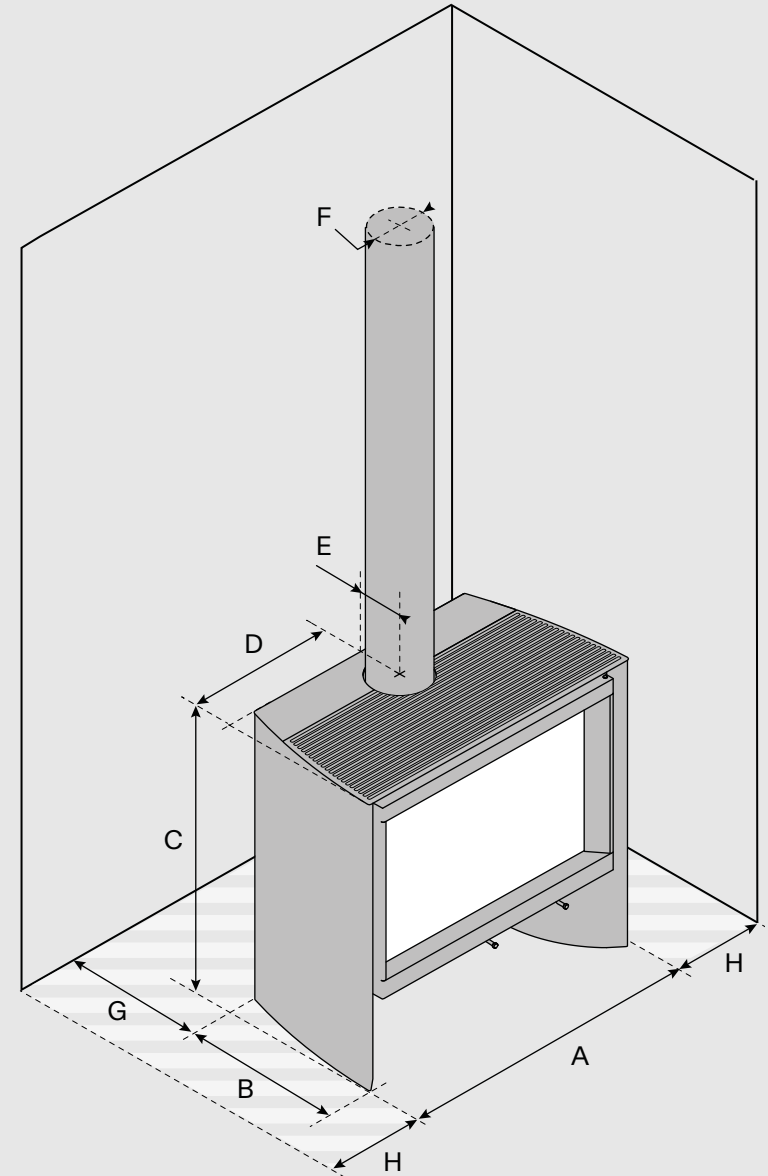
66/55



Performance*	Output range	5 - 9 KW
	Nominal efficiency	62 %
	Fine particle emissions	0.6g/kg

Specifications	Viewable glass size (mm)	520 × 355
	Appliance weight	95 kg
	Maximum log length	40 cm
	Colours	Stúv Black

Dimensions	A - Width	700 mm
	B - Depth	430 mm
	C - Height	800 mm
	D - Flue axis - side	400 mm
	E - Flue axis - rear	124 mm
	F - Smoke outlet diameter	150 mm
	G - Minimum rear clearance	125 mm
	H - Minimum side clearance	250 mm
	External air connection diameter	80 mm



\*Australian Standards AS/NZS 4012:2025, AS/NZS 4013:2025, and AS/NZS 2918:2018. Australian Solid Fuel Testing.

DISCOVER THE RANGE

# Wood

---



s[6]



s[21]



s[μM]



s[22]



s[16]



s[6]H



s[30]C



s[30]



s[P20S]



s[P20]



s[P10]



s[P10]