



CIRCLE-AU (I/NI)

Installation and Owners Manual



Rev 2, 1/7/2019



WOODFIRE COMPLIANCE LABEL

This appliance has been TESTED TO AS/NZS4013 for Hardwood by ASFT Report: 19025 Date tested: APRIL 2019

VisionLINE Circle-AU Freestanding Wood Stove

OVERALL AVERAGE EFFICIENCY	63%
WHEN TESTED IN ACCORDANCE WITH AS/NZS 4012:	
AVERAGE PARTICULATE EMISSION FACTOR	1.0 G/KG
WHEN TESTED IN ACCORDANCE WITH AS/NZS 4013:	
MAXIMUM AVERAGE HEAT OUTPUT	8.79 kw
APPROVED FUEL:	BURN ONLY HARDWOOD WITH A MOISTURE CONTENT LESS THEN 25% (dry basis).	
Wetback - All Models:	Wetbacks are NOT an approved option and must not be fitted.	
Manufactured By:	Burning Technology – Stupkova – 952/18, Nova Vlice, 77900, Olomouc – Czech Republic EU	

Serial No. / N° de série:

HF

BARCODE LABEL

Date of Manufacture / Date de fabrication:

2017	2018	2019	JAN	FEB	MAR	APR	MAY	JUN	JUL	AUG	SEP	OCT	NOV	DEC
■	■	■	■	■	■	■	■	■	■	■	■	■	■	■

Z038-200_R4

Made in the EU

INSTALLATION DATE: / /

INSTALLATIONS TO COMPLY WITH AS/NZS2918:2001 AND WILL REQUIRE A BUILDING CONSENT

IMPORTANT: Read all instructions carefully before starting installation. Failure to follow these instructions may result in a fire hazard and will void the warranty.

- Fig. 3,4 and Table 1 & 2 relate to installations with tested fine systems; as per AS/NZS 2918:2001 - Appendix F, with a ceiling angle between 0° - 30° inclusive.
- For installations with a ceiling angle greater than 30°, refer to Fig. 6 & 7 and AS/NZS 2918:2001 4.6.3(b)
- Ceiling Plate may vary in size depending on ceiling angle. Please specify ceiling pitch prior to ordering the ceiling plate.

WARNING



If the information in these instructions is not followed exactly, a fire could result causing property damage, personal injury, or death.

- Do not store or use gasoline or other flammable vapors and liquids in the vicinity of this or any other appliance.
- Do not over fire - If appliance or chimney connector glows, you are over firing. Over firing will void your warranty.
- Comply with all minimum clearances to combustibles as specified. Failure to comply may cause house fire.

WARNING

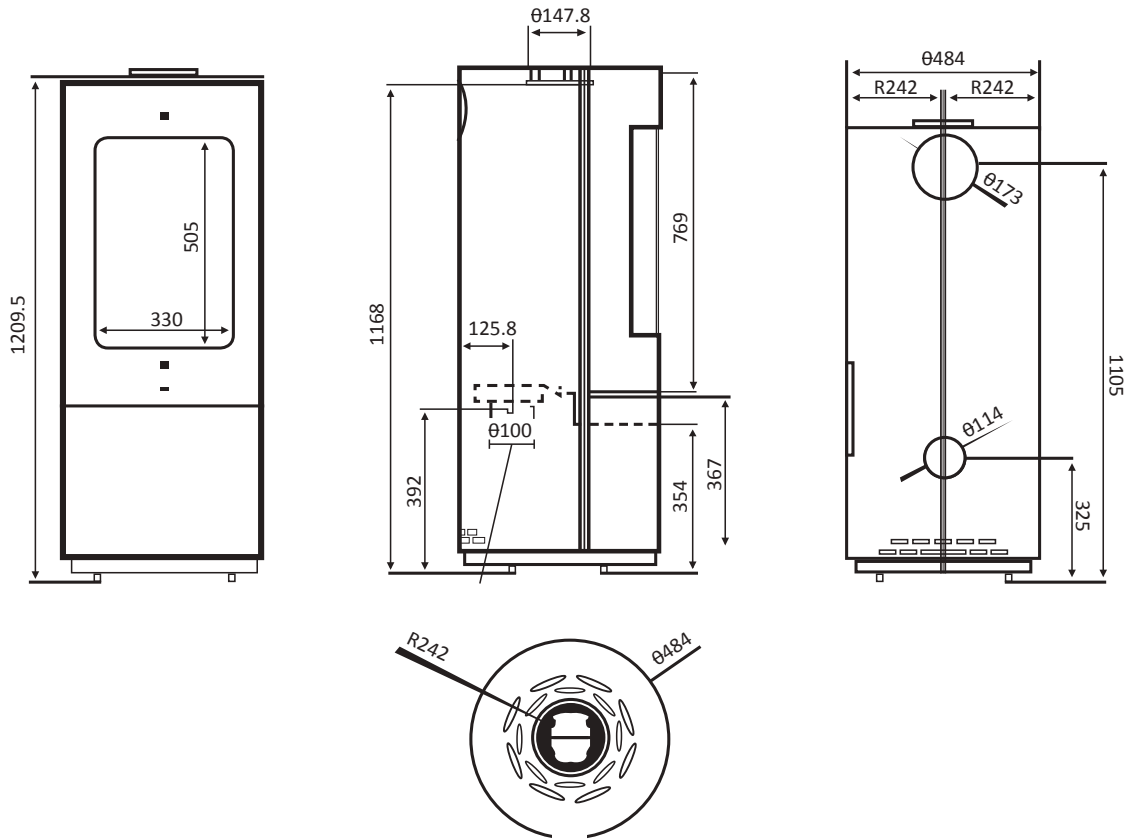


Fire Risk.
For use with solid wood fuel only.
Other fuels may over fire and generate poisonous gases (i.e. carbon monoxide).

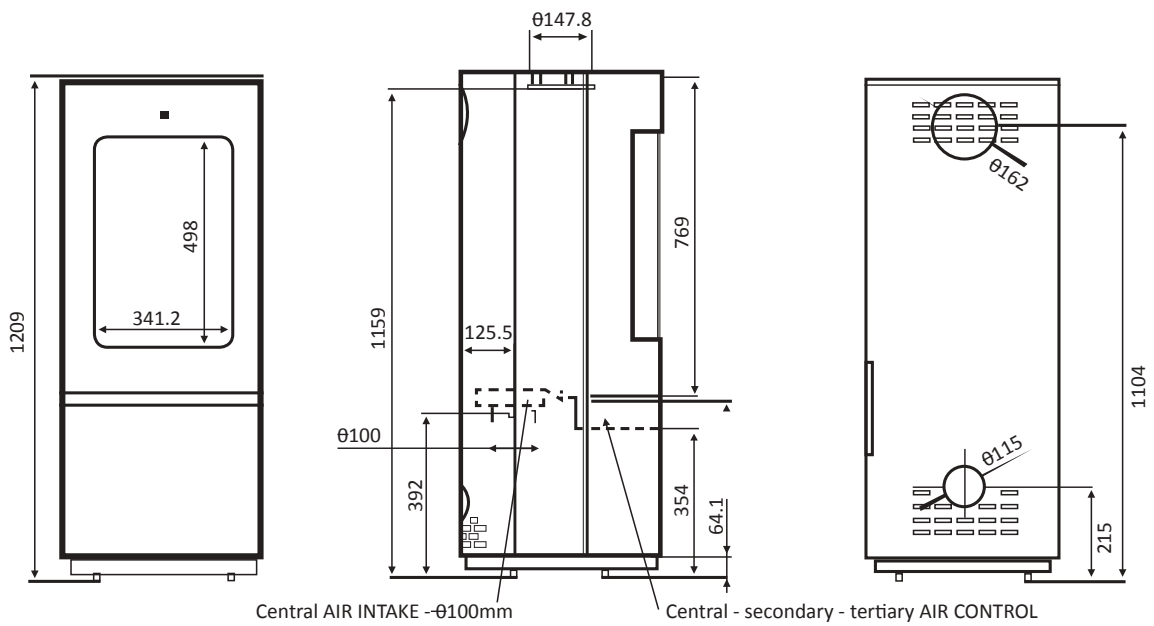
IMPORTANT NOTE:

The circle fireplace is intended as a secondary source of heating and not designed to be a primary heat source.

VisionLINE Circle - I



VisionLINE Circle - NI



FLOOR PROTECTOR

The VisionLINE Circle-AU does not require an insulating Floor Protector, as they are tested and comply with the minimum Floor Protector requirements of AS/NZS 2918:2001.

Note:

- The minimum Floor Protector sizes are specified in the clearance chart, see Table 1 & 2.
- A Floor Protector can include ceramic tiles with grouted joints fixed directly onto a wooden floor or a steel panel or any other non combustible material laid directly onto a wooden floor.
- If installed directly onto a concrete slab, the concrete slab can be considered as the floor protector, but must maintain the minimum measurement listed.

PARALLEL POSITIONING

Fig. 3

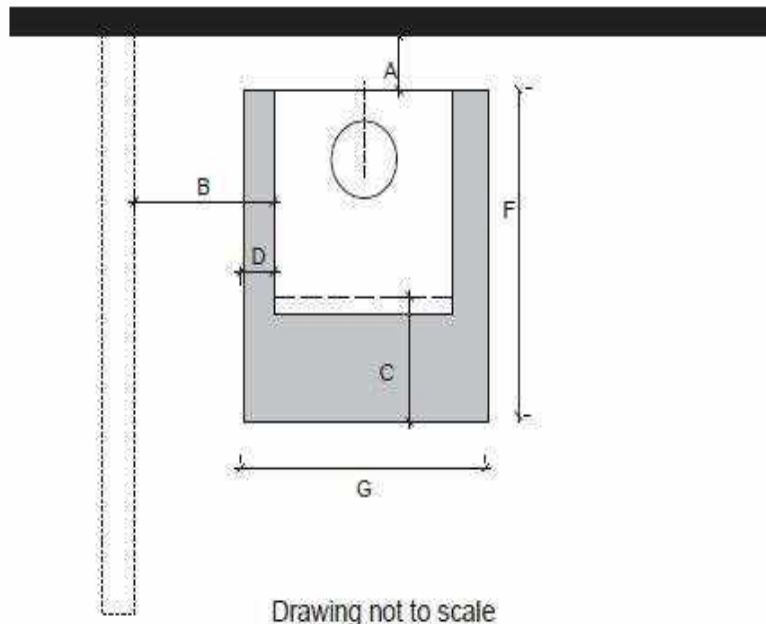


Table 1

	Using AU Default Flue kit (Solid 8" or Mesh)	Circle – NI*	Circle – I*
A	Min. Clearance from firebox to rear wall	550mm	125mm
B	Min. Clearance from firebox to side wall	575mm	550mm
C	Min distance from firebox opening to floor protector front	300mm	300mm
D	Min distance from firebox to floor protector side	107.5mm	107.5mm
F	Depth of floor protector	785mm	785mm
G	Width of floor protector	700mm	700mm

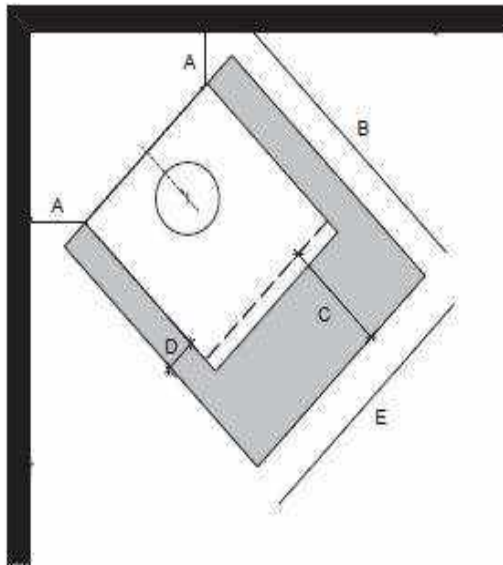
NOTE: HEAT SHIELD REQUIREMENTS FOR HEAT SENSITIVE WALLS

Clearances may be reduced by provision of an appropriately located heat shield refer to AS/NZS 2198:2001 3.2.3 TABLE 3.1

***Important – NI (Non Insulated Rear), I (Insulated Rear)**

CORNER POSITIONING (45°)

Fig. 4



Drawing not to scale

Table 2

	Using AU Default flue kit with solid or mesh 8"	Circle NI	Circle I
A	Min Clearance from firebox to corner walls	450mm	175mm
B	Depth of floor protector	785mm	785mm
C	Min Distance from firebox opening to floor protector front	300mm	300mm
D	Min distance from firebox to floor protector side	107.5mm	107.5mm
E	Width of floor protector	700mm	700mm

FIREBOX INSTALLATION

1. If a separate floor protector is being used position now. Place the firebox on a floor protector that is at least 6mm thick to suit the minimum installation clearances. (See Fig 3 or 4).
2. Seismically restrain the firebox and the floor protector to the floor.

WARNING



Fire Risk.

VisionLINE Fireplaces disclaims any responsibility for, and the warranty will be voided by, the following actions:

- Installation and use of any damaged appliance.
- Modification of the appliance.
- Installation other than as instructed
- Installation and/or use of any component part not approved
- Operating appliance without fully assembling all components.
- Operating appliance without legs attached (if supplied with appliance).
- Do NOT Over fire - If appliance or chimney connector glows, you are over firing.

Any such action that may cause a fire hazard.

Install Guide

Getting Started

A. Design and Installation Considerations

Consideration must be given to:


- Safety
- Convenience
- Traffic flow
- Chimney and chimney connector required

It is a good idea to plan your installation on paper, using exact measurements for clearances and floor protection, before actually beginning the installation. If you are not using an existing chimney, place the appliance where there will be a clear passage for a factory-built listed chimney through the ceiling and roof.

We recommend that a qualified building inspector and your insurance company representative review your plans before and after installation.

If this appliance is in an area where children may be near it is recommended that you purchase a decorative barrier to go in front of the appliance. Remember to always keep children away while it is operating and do not let anyone operate this appliance unless they are familiar with these operating instructions.

CAUTION
<p>Check building codes prior to installation.</p> <ul style="list-style-type: none"> • Installation MUST comply with local, regional, state and national codes and regulations. • Consult insurance carrier, local building, fire officials or authorities having jurisdiction about restrictions, installation inspection, and permits.

 WARNING
<p>Asphyxiation Risk.</p> <ul style="list-style-type: none"> • Do NOT connect this appliance to a chimney flue servicing another appliance. • Do NOT connect to any air distribution duct or system. <p>May allow flue gases to enter the house.</p>


<p>NOTICE: VISIONLINE FIREPLACES ASSUMES NO RESPONSIBILITY FOR THE IMPROPER PERFORMANCE OF THE APPLIANCE SYSTEM CAUSED BY:</p> <ul style="list-style-type: none"> • Inadequate draft due to environmental conditions • Down drafts • Tight sealing construction of the structure • Mechanical exhausting devices • Over drafting caused by excessive chimney heights • Ideal performance is with height of chimney between 14-16 feet (4.26-4.88m) measured from the base of the appliance.

B. Fire Safety

To provide reasonable fire safety, the following should be given serious consideration:

1. Install at least one smoke detector on each floor of your home to ensure your safety. They should be located away from the heating appliance and close to the sleeping areas. Follow the smoke detector manufacturer's placement and installation instructions, and be sure to maintain regularly.
2. A conveniently located Class A fire extinguisher to contend with small fires resulting from burning embers.
3. A CO detector should be installed in the room with the appliance.
4. A practiced evacuation plan, consisting of at least two escape routes.
5. A plan to deal with a chimney fire as follows:
In the event of a chimney fire:
 - a. Evacuate the house immediately
 - b. Notify fire department.

C. Negative Pressure

 WARNING
<p>Asphyxiation Risk.</p> <ul style="list-style-type: none"> • Negative pressure can cause spillage of combustion fumes, soot and carbon monoxide. • Appliance needs to draft properly for safety.

Negative pressure results from the imbalance of air available for the appliance to operate properly. It can be strongest in lower levels of the house.

Causes include:

- Exhaust fans (kitchen, bath, etc.)
- Range hoods
- Combustion air requirements for furnaces, water appliances and other combustion appliances
- Clothes dryers
- Location of return-air vents to furnace or air conditioning
- Imbalances of the HVAC air handling system
- Upper level air leaks such as:
 - Recessed lighting
 - Attic hatch
 - Duct leaks

To minimize the effects of negative air pressure:

- Install optional outside air kit with the intake facing prevailing winds during the heating season
- Ensure adequate outdoor air for all combustion appliances and exhaust equipment
- Ensure furnace and air conditioning return vents are not located in the immediate vicinity of the appliance
- Avoid installing the appliance near doors, walkways or small isolated spaces
- Recessed lighting should be a "sealed can" design
- Attic hatches weather stripped or sealed
- Attic mounted duct work and air handler joints and seams taped or sealed
- Basement installations should be avoided

 **WARNING**

Fire Risk.
VISIONLINE FIREPLACES disclaims any responsibility for, and the warranty will be voided by, the following actions:

- Installation and use of any damaged appliance.
- Modification of the appliance.
- Installation other than as instructed
- Installation and/or use of any component part not approved
- Operating appliance without fully assembling all components.
- Operating appliance without legs attached (if supplied with appliance).
- Do NOT Over fire - If appliance or chimney connector glows, you are over firing.

Any such action that may cause a fire hazard.

D. Tools And Supplies Needed

Before beginning the installation be sure the following tools and building supplies are available:

Reciprocating saw	Flat blade screwdriver
Framing material	Electric drill and bits
Pliers	Plumb line
High temp caulking material	Safety glasses
Hammer	Level
Gloves	Tape measure
Phillips screwdriver	Misc. screws and nails
Framing square	7/16 socket or wrench

1/2-3/4 in. length, #6 or #8 self-drilling screws

E. Inspection of Appliance and Components

- Remove appliance and components from packaging and inspect for damage.
- Report to your dealer any parts damaged in shipment.
- Read all the instructions before starting the installation. Follow these instructions carefully during the installation to ensure maximum safety and benefit.

 **WARNING**

Fire Risk.
Inspect appliance and components for damage. Damaged parts may impair safe operation.

- Do NOT install damaged components.
- Do NOT install incomplete components.
- Do NOT install substitute components.

Report damaged parts to dealer.

GENERAL INSTRUCTIONS FOR FLUE SYSTEM

- Flue pipe installed crimp/narrow end down
- Outer casings installed crimped/narrow end up. (Critical when exposed above the roof)
- Inner casings - direction not critical
- Flue pipes - seal all joints including firebox spigot.
- fix with a minimum of 3 stainless steel rivets
- Flue pipe spacers - affix to flue pipe
- Flue system termination point - Refer to AS/NZS 2918:2001 4.9.1.
- Flue pipe shall extend not less than 4.6m above top of the floor protector as per AS/NZS 2918:2001 4.9.1(a)
- Façade or chase systems - same rule applies as above.

UNIT IS APPROVED WITH MESH OR SOLID 8" OUTER SKIN

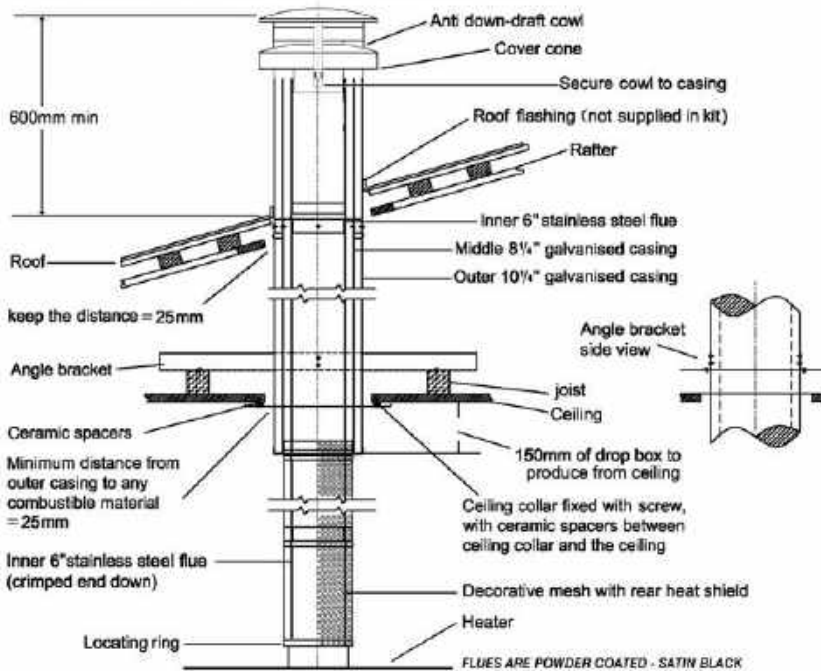
Note: These instructions apply to 150mm diameter flue pipe systems as tested to AS/NZS 2918:2001

1. Either locate the appliance in position or by measuring at the ceiling mark the flue pipe centre position. Check that the outer casing is unobstructed through the attic space or roof area.
2. Spike the centre with a nail. Transfer this position to the next surface above. Plumb bob/laser.
3. Cut out the ceiling penetration hole – square or rectangle – short axis equals outer casing diameter plus 50mm, long axis as required. See Table 5 . Perform the same at the roof penetration.
4. Frame out the hole with minimum 75 x 50 timber or as required for roofing material.
5. Install the outer casing so that :-
 - (i) lower end is flush with the underside of the ceiling material and
 - (ii) with the addition of metal "L" brackets, affix to the outer casing at 90 degrees secure the outer casing centrally to the ceiling and roof noggs. Alternatively substitute the "L" brackets for 25mm thick non heat sensitive packers. Secure the outer casing through the packers with horizontal fixings to the noggs. Refer to the General Instruction for termination height. The option of outer casing slips to be taken into account.
6. Flash the outer casing to the roof material with the appropriate approved flashing.
7. If using an outer/inner casing combination, now install the inner casing ensuring it extends a minimum 200mm above the high side of the roof penetration. If not using a combination see '11' below.
8. Refer to Firebox Installation, points 1 & 2.
9. Prepare the ceiling plate and place upside down over the flue spigot.
10. Install the flue pipes by preferred method – either up or down the outer casing. Affix each length per the notes in General Instructions (above). Extend the flue pipe above the outer casing to suit the casing cover/cowl assembly.
11. If the inner casing has not been installed, install now. Refer to 7 above for minimum height.
12. Install the cowl assembly, i.e. Top spacer, casing cover and cowl.
13. Position and secure the ceiling plate with the screws and spacers.
14. Wipe the flue pipe to remove finger marks.
15. Refer to Firebox Installation, point 3.
16. If flue offset is required, refer to AS/NZS 2918:2001 4.1

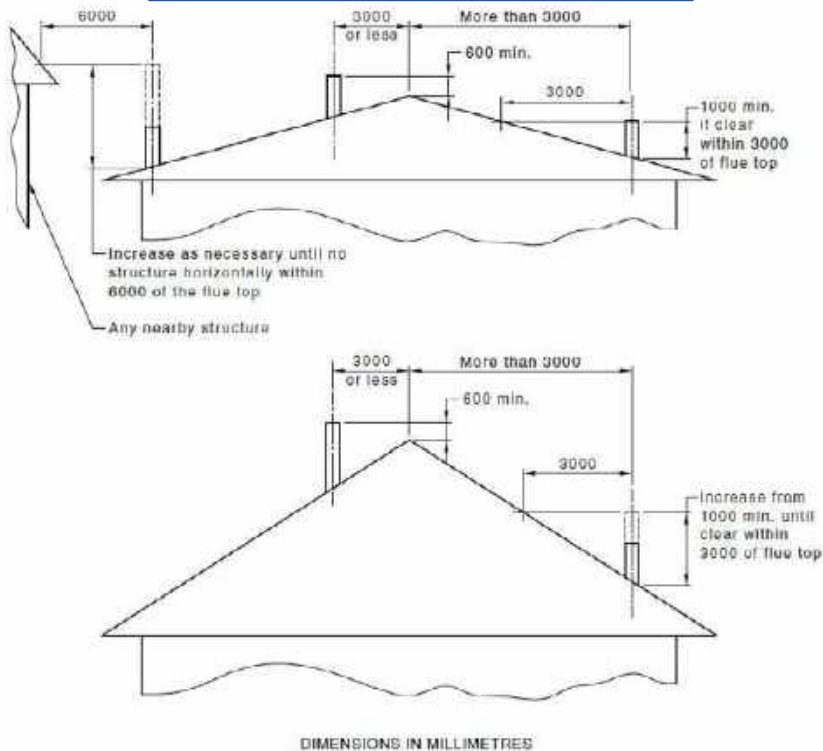
DEFAULT 6" FLUE KIT with mesh and solid decorative flue
INSTALLATION INSTRUCTIONS

For connecting into a standard installation:

The following drawing is meant as a guide only. Your wood heater **must** be installed by a qualified person whose work conforms with local council regulations, Australian/New Zealand standards (AS/NZS 2918:2001) & manufacturer's recommendations.



Minimum Height Requirements



VisionLINE recommends using either VisionLINE Australian default flue kits or VisionLINE AIR insulated flue kits.

AS/NZS 2918:2001 General Notes

WARNING: THE APPLIANCE AND FLUE SYSTEM SHALL BE INSTALLED IN ACCORDANCE WITH AS/NZS 2918 AND THE APPROPRIATE REQUIREMENTS OF THE RELEVANT BUILDING CODE OR CODES.

WARNING: APPLIANCES INSTALLED IN ACCORDANCE WITH THIS STANDARD SHALL COMPLY WITH THE REQUIREMENTS OF AS/NZS 4013 WHERE REQUIRED BY THE REGULATORY AUTHORITY, I.E. THE APPLIANCE SHALL BE IDENTIFIABLE BY A COMPLIANCE PLATE WITH THE MARKING 'TESTED TO AS/NZS 4013'.

ANY MODIFICATION OF THE APPLIANCE THAT HAS NOT BEEN APPROVED IN WRITING BY THE TESTING AUTHORITY IS CONSIDERED TO BE IN BREACH OF THE APPROVAL GRANTED FOR COMPLIANCE WITH AS/NZS 4013.

CAUTION: MIXING OF APPLIANCE OR FLUE SYSTEM COMPONENTS FROM DIFFERENT SOURCES OR MODIFYING THE DIMENSIONAL SPECIFICATION OF COMPONENTS MAY RESULT IN HAZARDOUS CONDITIONS. WHERE SUCH ACTION IS CONSIDERED, THE MANUFACTURER SHOULD BE CONSULTED IN THE FIRST INSTANCE.

CAUTION: THIS APPLIANCE SHOULD NOT BE OPERATED WITH CRACKED AND BROKEN COMPONENTS, e.g. GLASS PANELS OR CERAMIC TILES, MAY RENDER THE INSTALLATION UNSAFE.

WARNING: ANY MODIFICATION OF THE APPLIANCE THAT HAS NOT BEEN APPROVED IN WRITING BY THE TESTING AUTHORITY IS CONSIDERED AS BREACHING AS/NZS 4013.

WARNING: DO NOT USE FLAMMABLE LIQUIDS OR AEROSOLS TO START OR REKINDLE THE FIRE.

WARNING: DO NOT USE FLAMMABLE LIQUIDS OR AEROSOLS IN THE VICINITY OF THIS APPLIANCE WHEN ITS OPERATING.

WARNING: DO NOT STORE FUEL WITHIN HEATER INSTALLATION CLEARANCES.

WARNING: OPEN AIR CONTROLS AND DAMPER WHEN FITTED BEFORE OPENING FIRING DOOR.

WARNING: FOR OPTIMUM PERFORMANCE FUEL MUST BE LOADED SO THE LOGS LAY "FRONT TO REAR" IN PREFERENCE TO LAYING ACROSS THE WIDTH OF THE FIREBOX. SPACES SHOULD BE LEFT BETWEEN THE LOGS TO ENABLE OXYGEN TO GET TO AS MUCH OF THE SURFACE OF THE FUEL AS POSSIBLE.

CAUTION: THIS APPLIANCE SHOULD BE MAINTAINED AND OPERATED AT ALL TIMES IN ACCORDANCE WITH THESE INSTRUCTIONS.

CAUTION: THE USE OF SOME TYPES OF PRESERVATIVE-TREATED WOOD AS A FUEL CAN BE HAZARDOUS.

Unit operation



First fire

When lighting your fire for the first time, it can be expected that some smoke may emit from the outside of the fireplace as the paint cures. Please ensure you open doors and windows to allow for ventilation during this process. The door is sealed using a rope gasket which is inside the door frame. It will be quite stiff before first operation and will soften after unit operation.

IMPORTANT : The door will need to be opened and closed every 5-10 minutes for the first hour when burning in the fire for the first time to ensure that the gasket does not bind to the curing paint surface.

Lighting your fire

1. Ensure air control is full open
2. Use firelighters and dry kindling to establish fire
3. NOTE: The door may need to be open for 5-10 minutes to establish draft
4. Once a good layer of coals is present in the firebox, you may introduce hardwood into the fire, starting with smaller pieces
5. Once the fire is fully loaded with hardwood, you cannot reload the fire until it has extinguished

ONLY BURN WOOD WITH A MOISTURE CONTENT BELOW 20%



Low (Closed)

Medium

High (Full Air)

Resetting the unit for room air combustion (Circle-I)

Your Circle-I unit is set from factory to use VisionLINE AIR flue which draws air for combustion from outside. If you are using a Australian Default flue kit, you will need to change the air intake so the fire can draw air from the room. (Please note this only applies for the I (Insulated) unit)



Open the draw



Unlock pins on both sides



Remove the draw from the rails



Loosen the screws on the hose clamp



Remove the bend and flex hose



The fire is now ready to draw room air

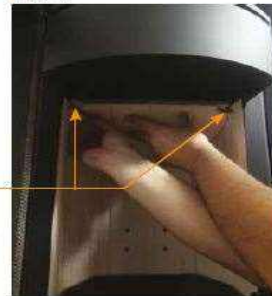


Replace draw and lock pins

Removing the baffle for flue cleaning

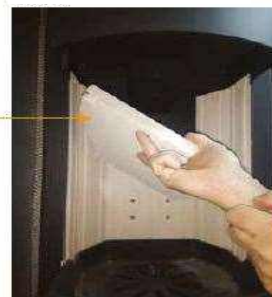
1. Remove the two metal bolts shown in figure 1
2. Now remove the upper top plate as shown in figure 2. Make sure you turn the plate to ensure ashes fall into the firebox
3. Remove the cast ashpan
4. Remove the left side refractory
5. Remove the right side refractory
6. Unscrew the metal deflector (repeat for 7)
7. You can now remove deflector and have access for chimney sweep

Step 1



Bolts

Step 2



Top plate

Step 3



Step 4



Step 5



Step 6



Step 7



Step 8



Flue Spigot Seating

The VisionLINE Circle has a spigot which is designed to have the crimped end of a 6 inch (150mm) flue pipe located OVER the spigot and sit on the gutter provided on the casting. I



Circle Unit with top plate removed



Flue seated correctly



VisionLINE Fireplace Systems
P.O. Box 5051 Burnley, 3121
Phone: (03)9429 5573
Email: info@visionlinefire.com.au
Web: visionlinefire.com.au