

stuv

S [21]



The s[21] is a high-performance, wood-burning inbuilt fireplace featuring a unique fully retractable guillotine door. Its understated simplicity is as appealing as its warmth, celebrating the purity and beauty of the fire. The model is available in four single-sided and two double-sided formats.

The essential fire



[SIMPLE]

Simplicity guides every decision in the design process. From the refined geometry of the appliance to its streamlined installation, intuitive operation, and minimal maintenance requirements, each element is resolved with clarity and purpose.

[PANORAMIC]

A single, fully retractable, expansive glass panel delivers a broad, unobstructed view of the fire. With the lower frame removed, the flame becomes a continuous visual element - clean, uninterrupted, and architecturally integrated.

[POWERFUL & EFFECTIVE]

The combustion chamber is lined with high-performance fire bricks that accelerate radiant heat transfer. Coupled with a system engineered to optimise natural convection, the fireplace achieves both substantial output and excellent thermal efficiency.

[UNIQUE]

All mechanical components are discreetly contained within the door. This patented retractable and tilting mechanism ensures a precise seal, enhancing performance while maintaining a clean architectural expression.

[INGENIOUS]

The glass panel rises smoothly for straightforward loading. For servicing and cleaning, the door tilts forward - an elegant solution that simplifies maintenance.

[MULTIFACETED]

A comprehensive range of insert formats, sizes, and cladding options allows the fireplace to adapt to many architectural styles - from minimalist volumes to richly layered interiors.

[CLEAN]

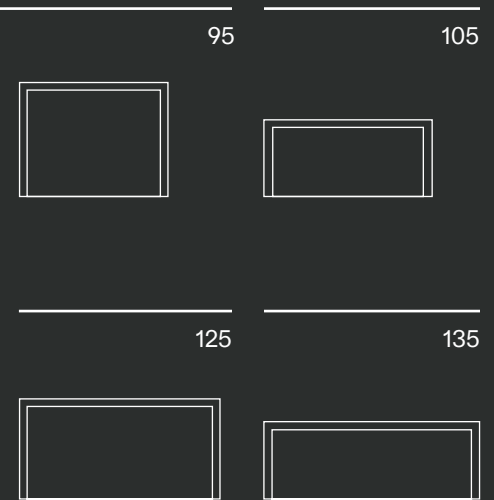
A controlled internal airwash system keeps the glass clear, ensuring the fire remains a consistently crisp focal point within the space.



s1211 - 125 Single Sided
Fishharven by Neil Architecture
Photography by Tom Blachford



s[21] - Single Sided



When you choose Stûv, you can enjoy guaranteed quality and simplicity.

Designed to be built in, the s[21] is easy to instal and straightforward to use. Totally unpretentious, it offers the perfect view of your fire.

The different cladding options available give it a stylish finish, making sure it blends in perfectly with its surroundings.

s[21] - Single Sided

95



105



125

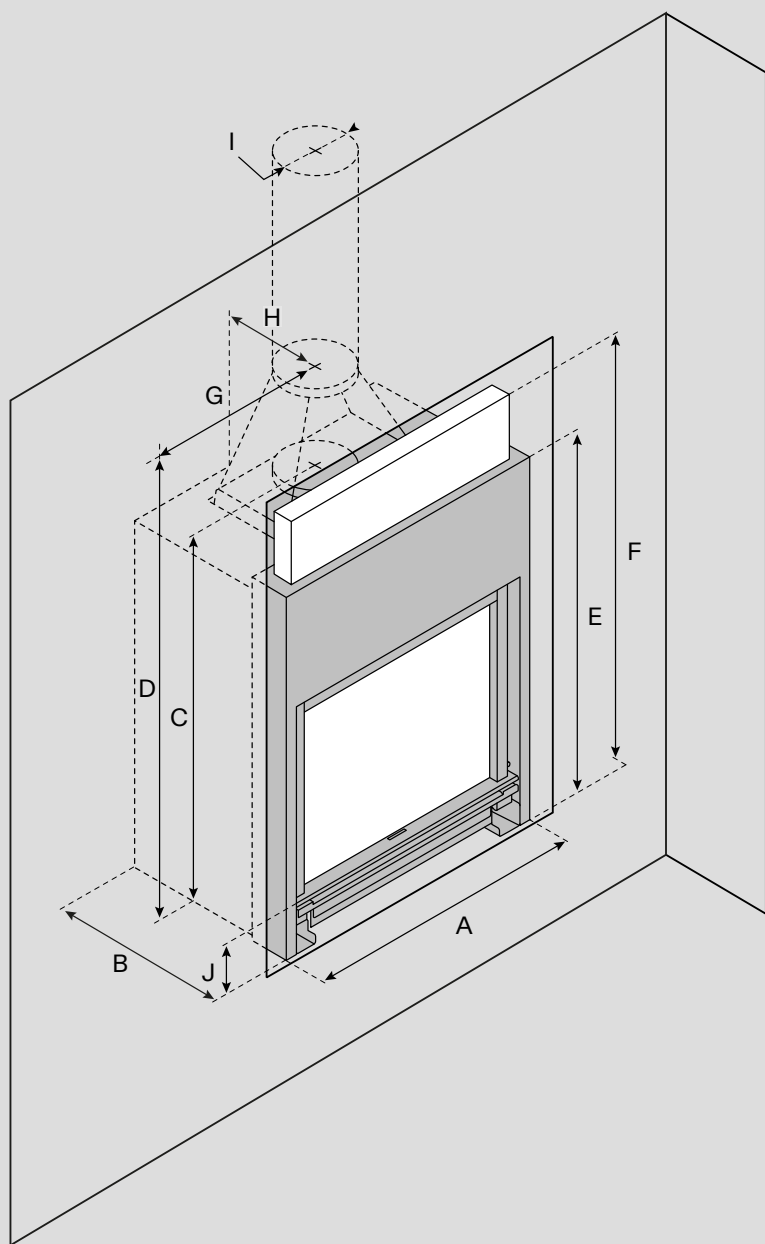


135



	95	105	125	135	
Performance*	Output	18	19	23	21
	Output range	10 - 18	7 - 19	11 - 23	11 - 21
	Nominal efficiency	76%	83%	76%	77%
	Fine particle emissions	18mg/Nm ³	20mg/Nm ³	22mg/Nm ³	22mg/Nm ³
	CO emissions	0.09% - 1113mg/ Nm ³	0.09% - 1122mg/ Nm ³	0.10% - 1299mg/ Nm ³	0.10% - 1299mg/ Nm ³
	NOx emissions	111mg/ N ³	48mg/ N ³	99mg/ N ³	84mg/ N ³
	Range of wood consumption	2.9 - 5.3 kg/h	1.9 - 5.1 kg/h	3.2 - 6.6 kg/h	3.2 - 6.1 kg/h
Specifications	Viewable glass size (mm)	770 × 615	870 × 400	1070 × 535	1170 × 400
	Appliance weight	292 kg	224 kg	305 kg	286 kg
	Maximum log length	70 cm	80 cm	100 cm	110 cm

*European CE Test Results - The Stuv 21 range is certified as a Central Heating Appliance, compliant with Australian Standards AS/NZS 4012:2025, AS/NZS 4013:2025, and AS/NZS 2918:2018, and is therefore exempt from additional Australian efficiency testing.



s[21] - Single Sided

	95	105	125	135
A - Width	950 mm	1050 mm	1250 mm	1350 mm
B - Depth	590 mm	496 mm	563 mm	500 mm
C - Height low outlet	1290 mm	1105 mm	1180 mm	1105 mm
D - Height high outlet	1430 mm	1245 mm	1320 mm	1245 mm
E - Device height without full raise	1225 mm	1040 mm	1115 mm	1040 mm
F - Device height with full raise	1455 mm	1040 mm	1295 mm	1040 mm
G - Centre flue to side edge	475 mm	525 mm	625 mm	675 mm
H - Centre flue to back edge	221 mm	201 mm	221 mm	203 mm
I - Smoke outlet diameter	250 mm	200 mm	300 mm	250 mm
J - Damper shelf height	158 mm	158 mm	158 mm	158 mm
External air connection diameter	100 mm	100 mm	-	-



s[21] - Double Sided

95

125



When you choose Stûv, you are keeping the flames of togetherness burning.

The double-sided s[21] has retractable glass on both sides. Installed between two rooms, you can enjoy looking at the fire from either side.

The different cladding options available give it a stylish finish, making sure it blends in perfectly with its surroundings, whatever the architecture.

s[21] - Double Sided

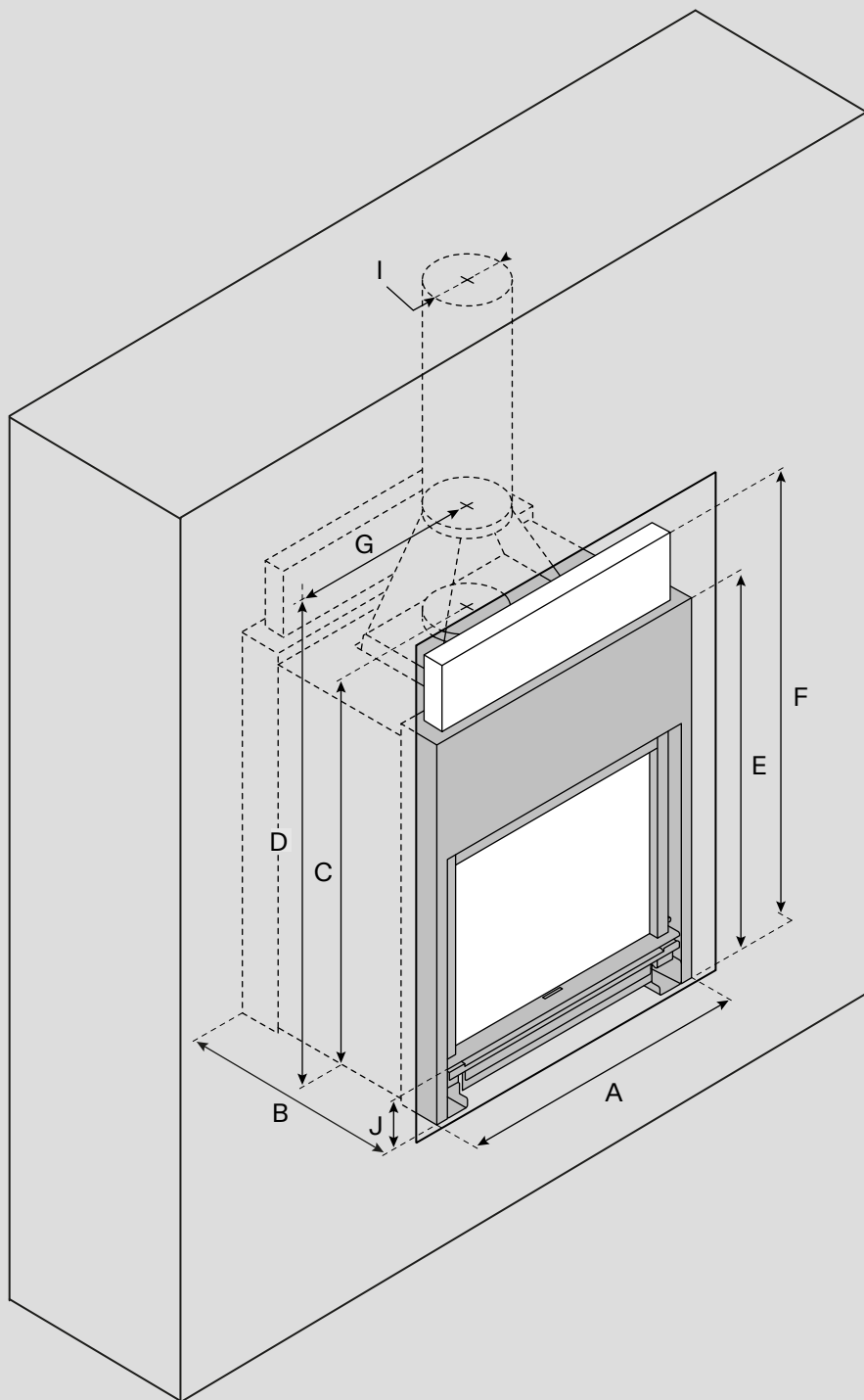
95

125



Performance*		95	125
Output		26	27
Output range		12 - 26	14 - 27
Nominal efficiency		75%	75%
Fine particle emissions		30mg/Nm ³	14mg/Nm ³
CO emissions		0.07% - 813mg/ Nm ³	0.10% - 1230mg/ Nm ³
NOx emissions		111mg/ N ³	104mg/ N ³
Range of wood consumption		3.6 - 8 kg/h	4.2 - 6.1 kg/h
Specifications		95	125
Viewable glass size (mm)		770 × 615	1185 × 535
Appliance weight		297 kg	310 kg
Maximum log length		70 cm	100 cm

*European CE Test Results – The Stûv 21 range is certified as a Central Heating Appliance, compliant with Australian Standards AS/NZS 4012:2025, AS/NZS 4013:2025, and AS/NZS 2918:2018, and is therefore exempt from additional Australian efficiency testing.



s[21] - Double Sided

	95	125
A - Width	950 mm	1250 mm
B - Depth	670 mm	670 mm
C - Height low outlet	1290 mm	1180 mm
D - Height high outlet	1430 mm	1320 mm
E - Device height without full raise	1225 mm	1115 mm
F - Device height with full raise	1455 mm	1295 mm
G - Centre flue to side edge	475 mm	625 mm
H - Centre flue to back edge	336 mm	336 mm
I - Smoke outlet diameter	250 mm	300 mm
J - Damper shelf height	158 mm	158 mm
External air connection diameter	100 mm	-



All about details

Frames

Two finishing frames options, available in Stûv grey, make it easy to perfectly integrate your fireplace in your wall.

Model	95	105	125	135
Thin Frame				
Width	892	992	1192	1292
Height	691	476	611	476
Fitted Frame				
Width	982	1082	1282	1382
Height	785	570	705	570



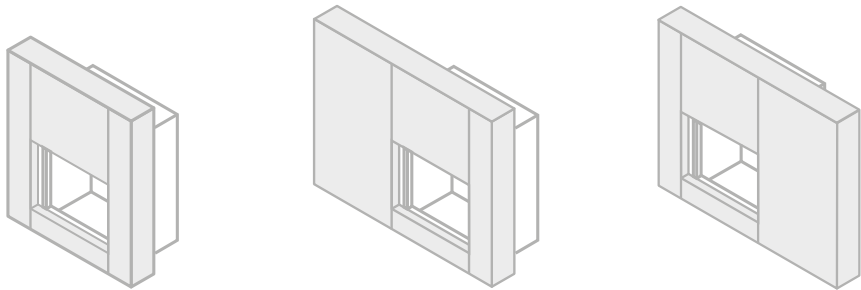
Thin frame



Fitted frame

Fascia claddings

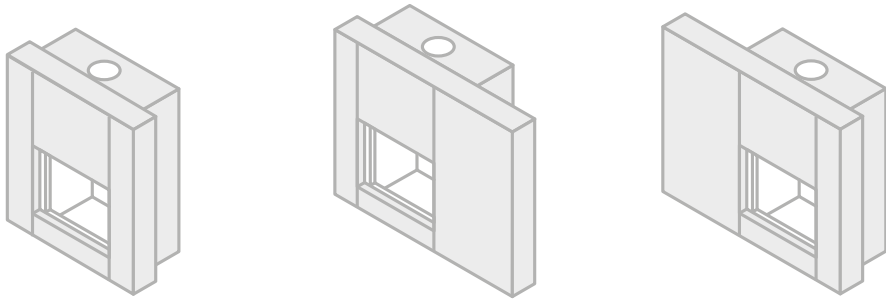
The fascia cladding make installation easier: it effortlessly conceals the wall cavity that house the fireplace, thereby avoiding the need for any wall finishing work. It also creates a distinct visual element that contrast with the wall and draw attention to the fire. Fabricated int steel by the Stuv team, fascia claddings are available in standard or custom sizes and colours to integrate perfectly with your interior design.



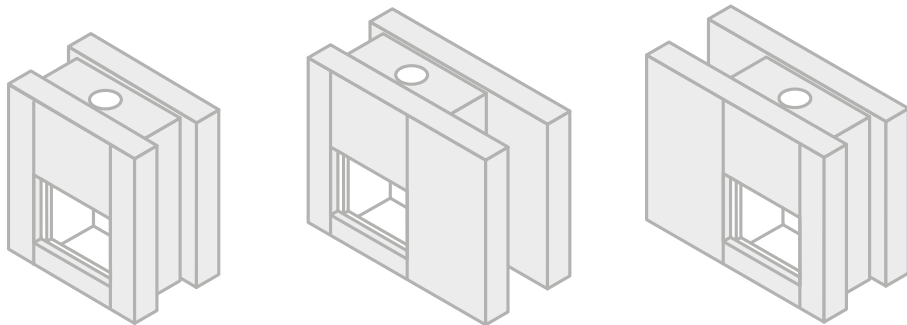
Freestanding claddings

The ready-to-fit freestanding fascia is a great way to install your fireplace without the need for any major building work. This smart solution removes the need for any masonry, carpentry and wall finishing work. The fireplace installation becomes a breeze, whether it's against a wall or at the centre of the room. The freestanding cladding can even incorporate the log storage for your fire and is available for both single sided and double sided models.

Single Sided

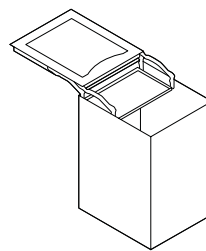


Double Sided

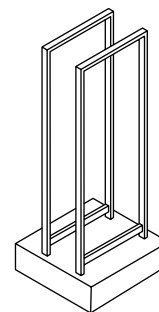




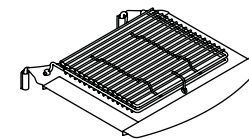
Accessories



Mobilo storage box



Log trolley



BBQ kit

Colours

Fascias and freestanding claddings are available in standard and custom colours to integrate perfectly with your interior design.

STANDAR COLOURS

● Stûv Grey

○ White

● Rust

● Dark Grey

● Concrete

DISCOVER THE RANGE

Wood



s[6]



s[21]



s[μM]



s[22]



s[16]



s[6]H



s[30]C



s[30]



s[P20S]



s[P20]



s[P10]



s[P10]