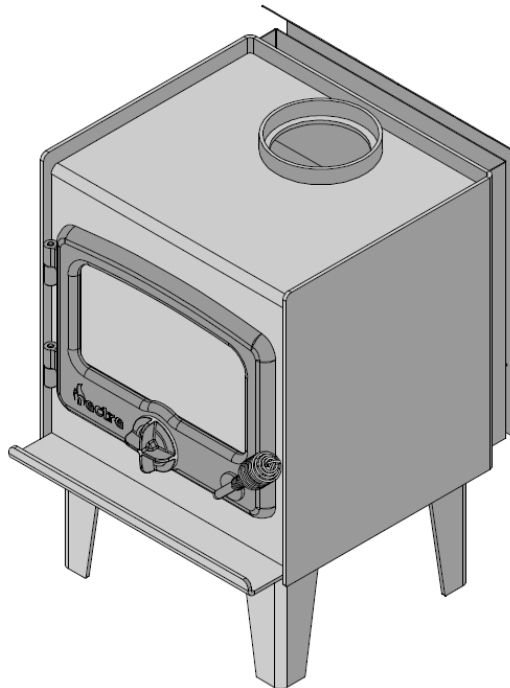




Nectre 15 LE

Installation Instructions



Legs
Pedestal
Wood Stacker

Keep these instructions for future reference



**Australian
Home Heating**
Association Inc.



Glen Dimplex Australia proudly supports the activities of Landcare Australia through its membership of the AHHA

CONTENTS

1.	INSTALLATION	1
1.1.	IMPORTANT INFORMATION	1
1.2.	INSTALLING THE HEATER	2
1.2.1.	Positioning the Heater	2
1.2.2.	Optional Side Shield Installation	2
1.2.3.	Standard Installation	3
1.2.4.	Corner Installation	3
1.2.5.	Clearance Dimensions	3
1.2.6.	Floor Protector	4
1.3.	REDUCING CLEARANCES TO COMBUSTIBLES	4
1.4.	INSTALLING THE FLUE	5
1.5.	INSTALLING THE BAFFLE AND FIRE BRICKS	6
1.6.	TECHNICAL DRAWINGS	6
1.6.1.	N15 Legs	6
1.6.2.	N15 Pedestal	7
1.6.3.	N15 Wood Stacker	7

1. INSTALLATION

THE INSTALLATION INSTRUCTIONS IN THIS MANUAL APPLY TO THE NECTRE 15 LE WOOD HEATER MODELS.

THEY HAVE BEEN TESTED FOR EMISSIONS AND EFFICIENCY AND COMPLY ACCORDING TO AS/NZS 4012 & AS/NZS 4013.

1.1. IMPORTANT INFORMATION

The unit must be installed according to all manufacturers' instructions included in this manual. The manufacturer is not liable for installations that do not meet the requirements outlined in this manual.

Most building regulatory authorities in Australia require any wood heater installation to comply with Installation Standard AS/NZS 2918. Different states and councils may have varying regulations. Check local building regulations before installing the appliance.

All Nectre wood heaters have been tested to ensure they will meet the appropriate safety standard requirements if the instructions in this manual are followed. As the safety and emissions performance can be affected by altering the appliance, no modifications are allowed without written permission from the manufacturer.

WE RECOMMEND THAT THE INSTALLATION OF YOUR NECTRE WOOD HEATER BE CARRIED OUT BY A QUALIFIED INSTALLER.

WARNING: THE APPLIANCE AND FLUE SYSTEM SHALL BE INSTALLED IN ACCORDANCE WITH AS/NZS 2918 AND THE APPROPRIATE REQUIREMENTS OF THE RELEVANT BUILDING CODE OR CODES.

WARNING: APPLIANCES INSTALLED IN ACCORDANCE WITH THIS STANDARD SHALL COMPLY WITH THE REQUIREMENTS OF AS/NZS 4012 & AS/NZS 4013 WHERE REQUIRED BY THE REGULATORY AUTHORITY, I.E. THE APPLIANCE SHALL BE IDENTIFIABLE BY A COMPLIANCE PLATE WITH THE MARKING 'TESTED TO AS/NZS 4012 & AS/NZS 4013'.

ANY MODIFICATION OF THE APPLIANCE THAT HAS NOT BEEN APPROVED IN WRITING BY THE TESTING AUTHORITY IS CONSIDERED TO BE IN BREACH OF THE APPROVAL GRANTED FOR COMPLIANCE WITH AS/NZS 4012 & AS/NZS 4013.

CAUTION: MIXING OF APPLIANCE OR FLUE-SYSTEM COMPONENTS FROM DIFFERENT SOURCES OR MODIFYING THE DIMENSIONAL SPECIFICATION OF COMPONENTS MAY RESULT IN HAZARDOUS CONDITIONS. WHERE SUCH ACTION IS CONSIDERED, THE MANUFACTURER SHOULD BE CONSULTED IN THE FIRST INSTANCE.

CAUTION: CRACKED AND BROKEN COMPONENTS, EG. GLASS PANELS OR CERAMIC TILES, MAY RENDER THE INSTALLATION UNSAFE.

1.2. INSTALLING THE HEATER

1.2.1. Positioning the Heater

Review the necessary clearances specified in this section before considering where to position the heater.

Also check the practicability of installing the flue system in relation to any obstructing roof beams before positioning the heater.

The clearance distances can only be reduced if the surrounding walls are made of non-combustible material such as stone, brick or concrete. If non-combustible material, distance can be reduced to 100 mm. Alternatively, shielding of the wall(s) can reduce clearances (refer to next section for more detail).

Clearances to combustible surfaces vary depending on the type of flue shielding used, and if optional side shields have been added to the heater.

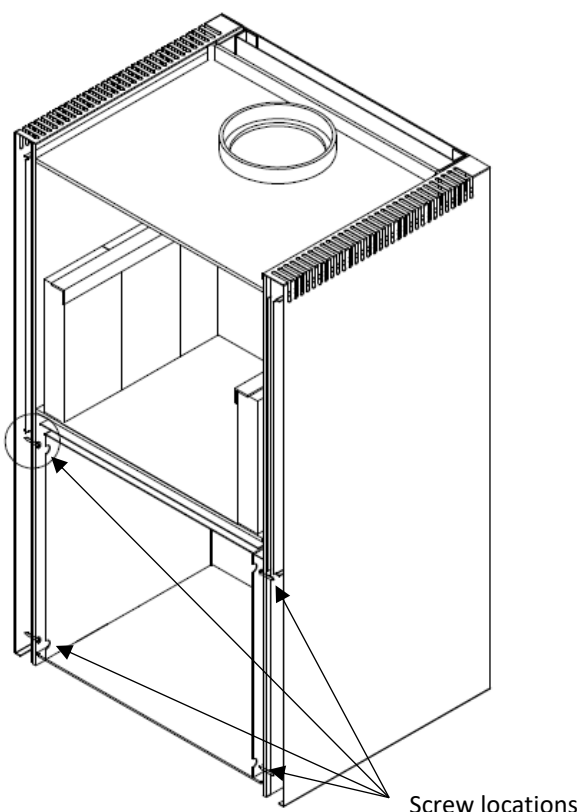
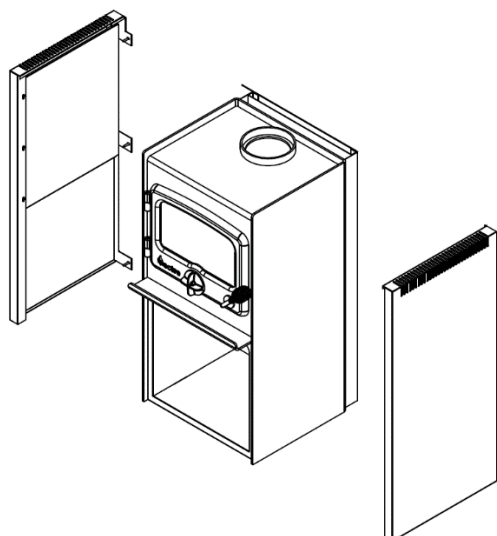
1.2.2. Optional Side Shield Installation

N15 Side Shields (for Legs and Pedestal model) or N15 WS Side Shields (for Wood Stacker Model) can be purchased separately and attached to reduce the minimum clearances to combustible materials.

N15 WS Side Shields

To screw side shields to the N15 Wood Stacker:

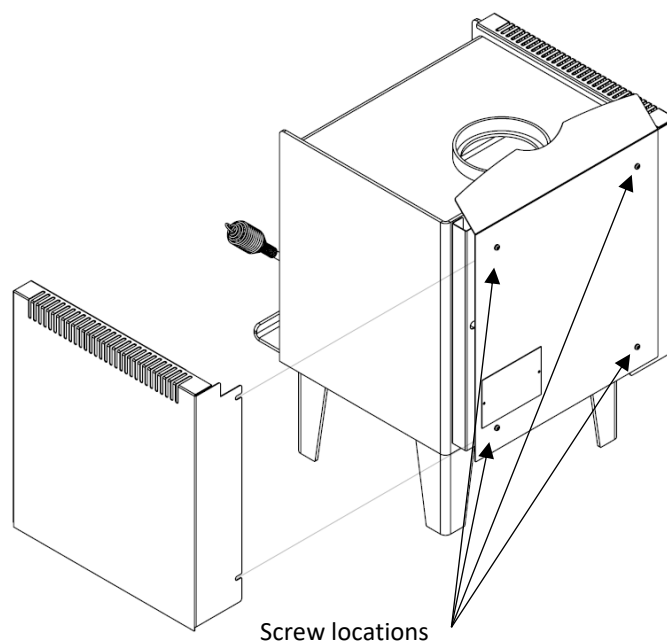
- 1) Drill 5mm clearance holes from the inside of the wood box in the four marked screw locations (see image).
- 2) Fasten each side shield in place with three screws in the rear and two screws in the inside of the wood box.



N15 Side Shields

To screw N15 side shields to the N15 Legs or Pedestal:

- 1) Loosen the 4 outer screws on the rear of the heater.
- 2) Slide the side shields in between the outer rear heat shield and the aluminium spacers, locating the slots on the side shield to fit over the screws. The top of the side shield has a 10mm lip folded down, this is intended to hook over the top edge of the heater.
- 3) Tighten the screws.



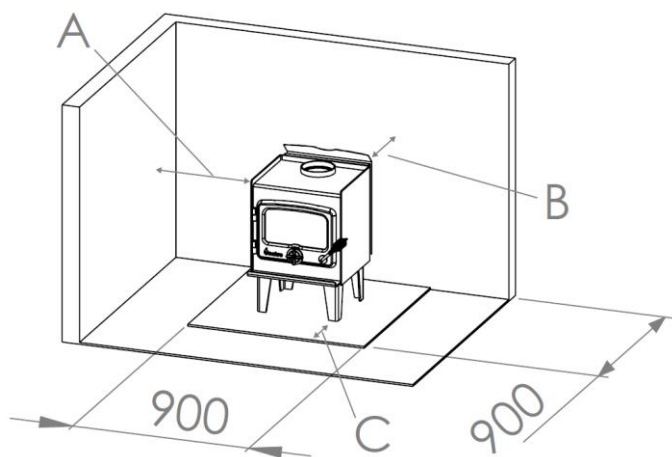
1.2.3. Standard Installation

Dimensions given in the table and image below represent the minimum clearance (in millimetres) to combustible materials.

A = Side clearance

B = Rear clearance

C = Minimum floor protector depth from door opening

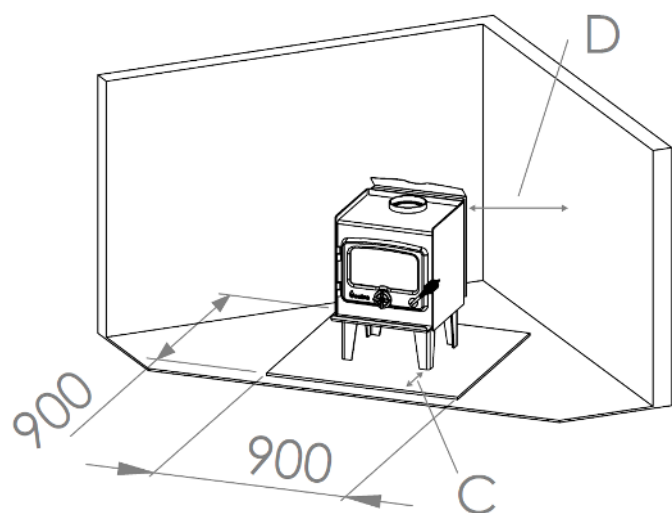


1.2.4. Corner Installation

Dimensions given in the table and image below represent the minimum clearance (in millimetres) to combustible materials.

C = Minimum floor protector depth from door opening

D = Corner clearance



1.2.5. Clearance Dimensions

Options			Clearance (mm)			
Model	Side Shields	Flue Shielding	A	B	C	D
Legs or Pedestal	None	Rear Flue Shield	750	175	300	750
		8" Solid Flue Shield	750	175	300	750
		Decro-mesh with Inner Reflector	750	175	300	750
	Side Shields	Rear Flue Shield	450	125	300	225
		8" Solid Flue Shield	450	125	300	225
		Decro-mesh with Inner Reflector	450	175	300	225
Wood Stacker	None	Rear Flue Shield	750	175	300	750
		8" Solid Flue Shield	750	175	300	750
		Decro-mesh with Inner Reflector	750	175	300	750
	Side Shields	Rear Flue Shield	550	240	300	300
		8" Solid Flue Shield	550	240	300	300
		Decro-mesh with Inner Reflector	550	240	300	300
		Double Rear Flue Shield	550	175	300	300

1.2.6. Floor Protector

Unless the heater will be standing on a heat resistant floor such as concrete slab with slate or tiles, it will be necessary to provide a floor protector.

The minimum required dimensions for the floor protector are shown in the previous section. It must extend no less than 300mm in front of the door opening, no less than 275mm either side of the door opening and extend under the heater. Minimum dimensions for the floor protector are 900mm wide by 900mm deep. It may be desirable, for example aesthetic reasons, for the floor protector to be larger than these minimum dimensions.

The floor protector shall be constructed of non-combustible material no less than 15mm thick and with a thermal conductivity not greater than 0.33W/m °K, eg. compressed cement sheet.

The floor protector may be laid directly on the combustible floor.

For more details and variations on floor protectors refer to AS/NZS 2918 Clause 2.2, 3.3.1, & 3.3.2.

1.3. REDUCING CLEARANCES TO COMBUSTIBLES

If it is necessary to install a heater closer to a combustible surface than the stated requirements in this installation manual, it must be done in accordance with Australian Standard AS/NZS 2918:2018 Section 3, Tables 3.1 & 3.2.

Shield Construction: The shield shall be constructed from a heat resistant material. The shield must be fixed to the surface that requires protection and NOT the heater.

The Standard allows three options to reduce stated clearances.

Single layer of continuous material with Minimum Air Gap of 12mm—Clearance Factor = 0.40

Single layer of continuous material with Minimum Air Gap of 25mm—Clearance Factor = 0.30

Two spaced layers of continuous material with Minimum Air Gaps of 12mm + 12mm—Clearance Factor = 0.20

The shielding must be open at the top and bottom (vented) to allow a continuous air flow. It is this air flow that keeps the surface requiring protection cool. Fixings should not impede this air flow.

The shielding needs to go far enough along and up the wall so that the original side and rear required clearances are not compromised. As the flue is now closer to the wall the shielding should also protect the wall from the flue pipe.

Example:

The side wall clearance for a heater is 750mm.

A 12mm gapped shield on the wall with a factor of 0.40.

Calculate: $750\text{mm} \times 0.40 = 300\text{mm}$. This is the new side wall minimum clearance.

The shielding needs to be large enough so that none of the original clearances of 750mm are compromised.

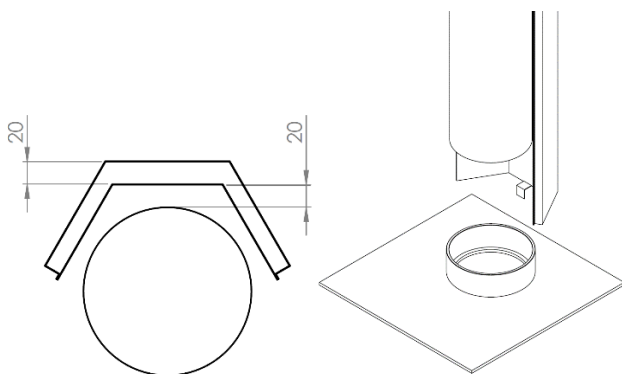
1.4. INSTALLING THE FLUE

The flue system used when installing the heater MUST comply with the current installation standard AS/NZS 2918.

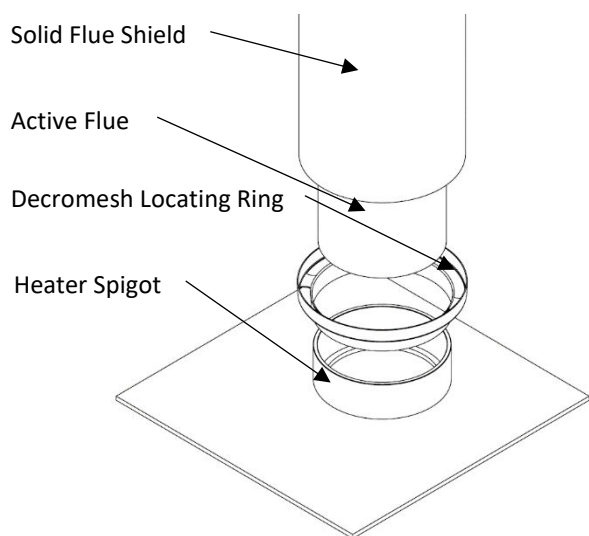
Full instructions on the installation of the flue will be supplied with the flue kit. These MUST be adhered to, including the minimum exit height from the top of the floor protector being not less than 4.6m, and the minimum exit height above the roof line of roof ridge as detailed in the instructions.

The flue must be fitted with one of the following:

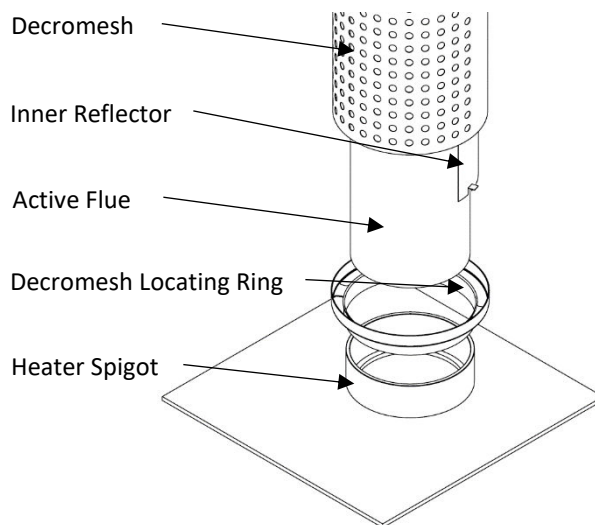
- 1) **Rear Flue Shield** – 900mm long, minimum 160° arc, stainless steel rear flue shield painted black.
- 2) **Double Rear Flue Shield** – 900mm long, half round, double skinned rear flue shield with 20mm internal gap at the rear, resting 20mm off from the rear of the active flue and 20mm above the top of the appliance, ventilated at the bottom and top only.



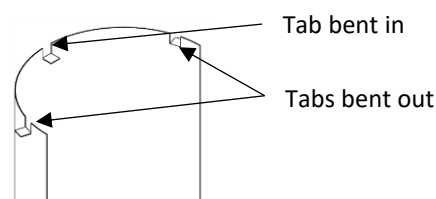
- 3) **Solid Flue Shield** – a full length, solid outer flue shield (7.75” – 8” diameter) extending from the heater through into the drop box penetrating the ceiling. The base of the solid outer shield must be fitted with the Decromesh Locating Ring supplied with in the heater.



- 4) **Decromesh** – a full length, half radius perforated Decromesh flue shield (7.75” – 8” diameter) extending from the heater through into the drop box penetrating the ceiling. The base of the decromesh must be fitted with the Decromesh Locating Ring supplied with in the heater.

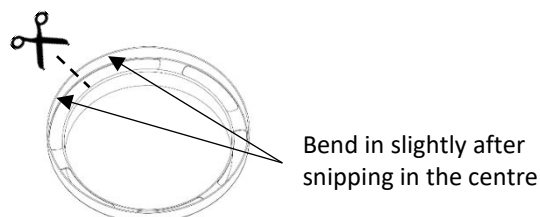


A 900mm half round inner reflector must be fitted inside the rear of the Decromesh. Using tin-snips, cut 10mm tabs into the top and bottom of the inner reflector and bend out to create an air gap between it and the outer Decromesh.



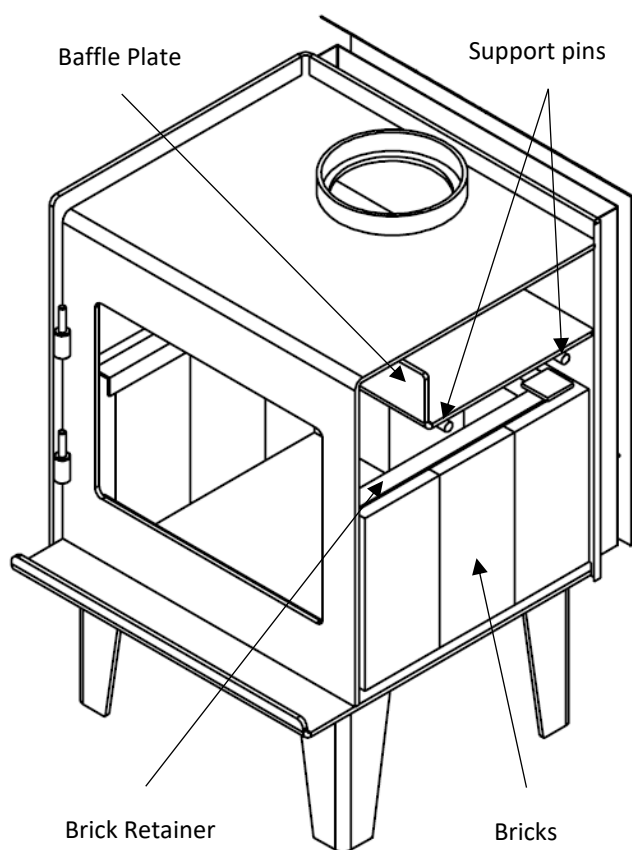
Important: The base of the Decromesh or Solid Flue Shield must be fitted with the vented Decromesh Locating Ring supplied with the heater.

Depending on the supplier, Decromesh or Solid Flue Shield can be one of three sizes – 200 mm, 7 ¾ inch, or 8 inch diameter. The Decromesh Locating Ring will fit the two smaller diameters but not the 8 inch. In this scenario, snip through the outer ring with tin-snips, as shown in the diagram below. Bend the two “arms” in slightly so their ends do not protrude out when fitted. Ensure the snipped section is at the rear of the flue, out of sight.



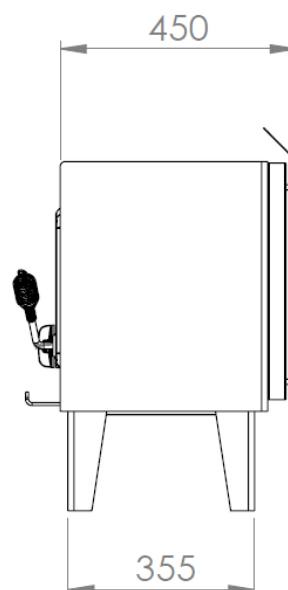
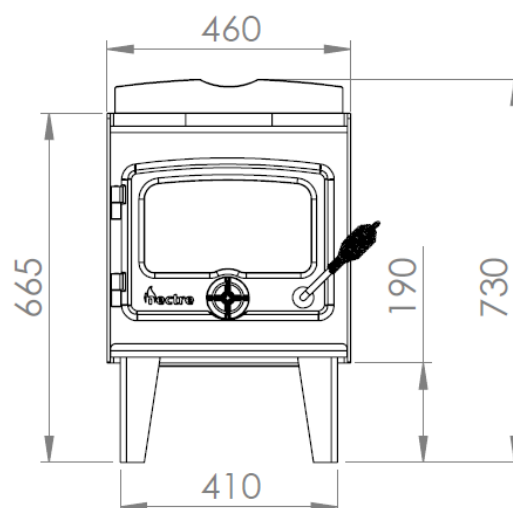
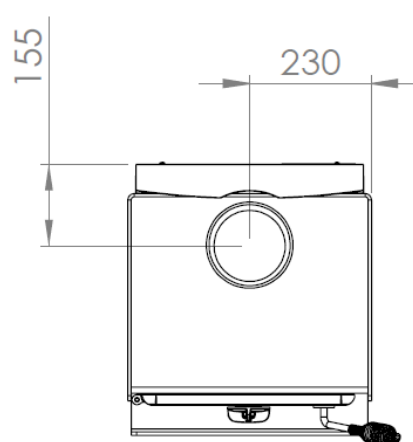
1.5. INSTALLING THE BAFFLE AND FIRE BRICKS

- 1) Remove the box of bricks from inside the heater.
- 2) Ensure the 6mm steel baffle plate is orientated inside the firebox so that the 75mm fold is at the front and directed upwards. Raise the front of the baffle plate up until it clears the two support pins at the front. Slide the baffle forward until the rear edge has cleared the two support pins at the back. Raise the rear of the baffle and slide back so that it is supported in a horizontal orientation and pushed all the way back in the firebox.
- 3) Lift the steel angle brick retainer and fit the bricks standing on end around the sides and back of the heater. There may be some gaps left between the bricks, but this is not an issue since they will fill up with ash as the heater is used. Refer to the diagram below for brick configuration.

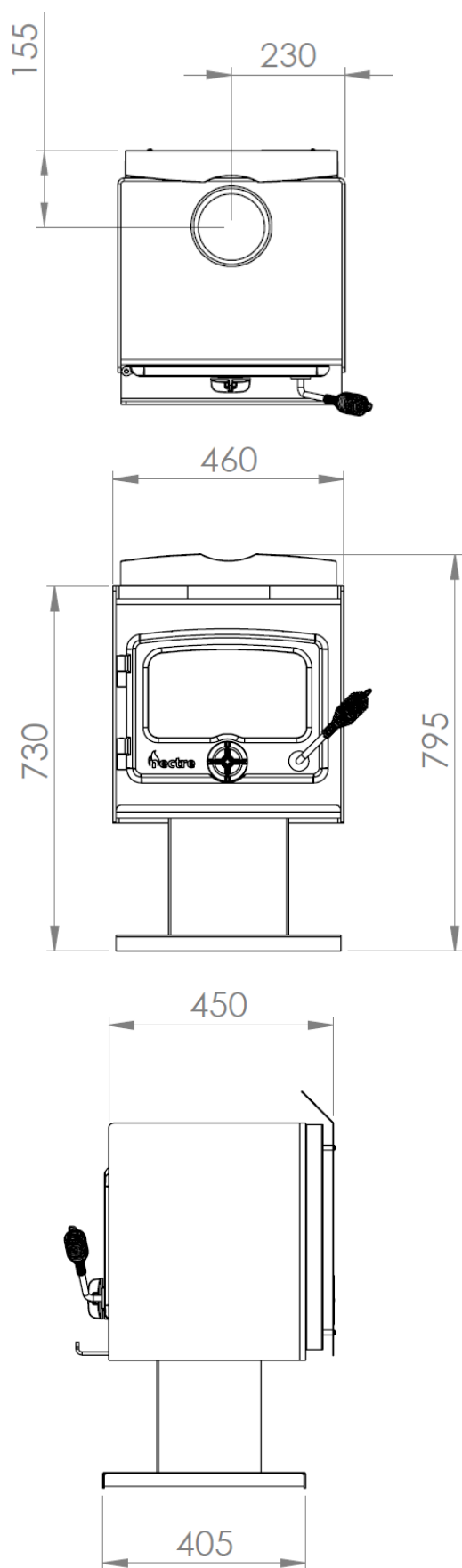


1.6. TECHNICAL DRAWINGS

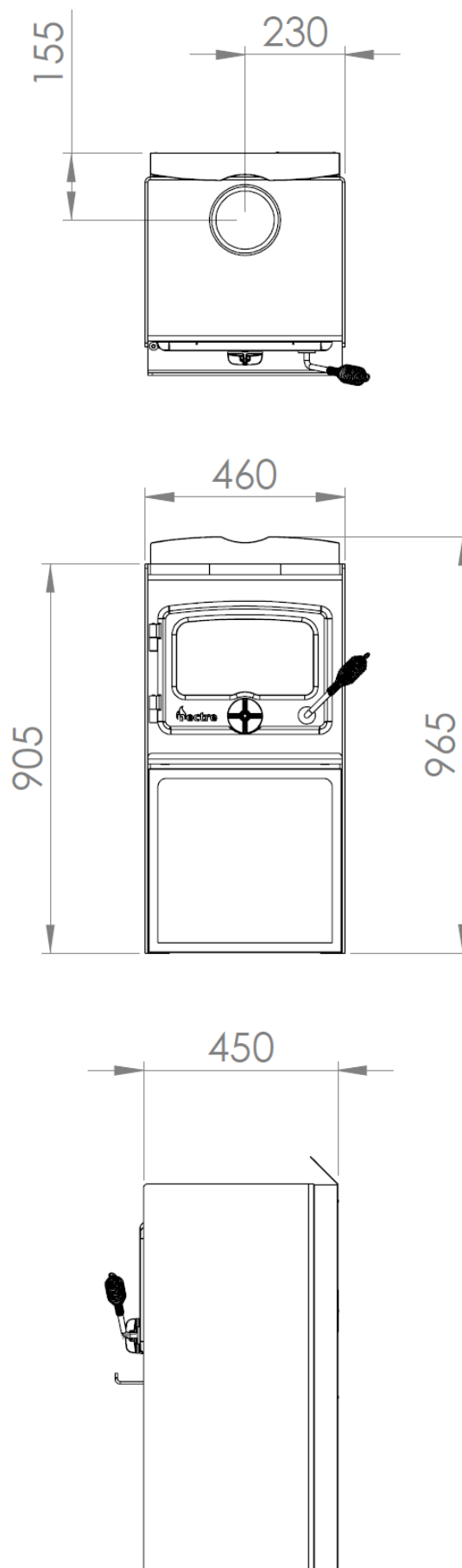
1.6.1. N15 Legs



1.6.2. N15 Pedestal



1.6.3. N15 Wood Stacker





Glen Dimplex Australia Pty Ltd

1340 Ferntree Gully Road,
Scoresby Victoria 3179
Australia

T: 1300 556 816 | F: 1800 058 900

Email: sales@glendimplex.com.au
