



LIVING FIRE



Vue tunnel Gas Fire

By PAUL AGNEW | DESIGNS[®]

Vue tunnel

Exclusively brought to Living Fire by Paul Agnew Designs.

The unique Vue Tunnel gas fire is the ideal addition for a plethora of design and heating needs.

Capturing the essence of open plan living, this cutting-edge design is the perfect element to divide yet embrace diverse living spaces.

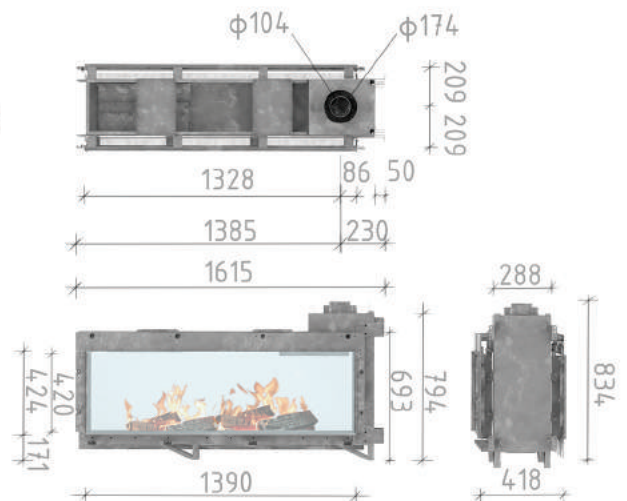
With technology brought exclusively to Living Fire from Europe, the innovation behind the heat output allows for efficiency in your home.

This multifaceted heat experience enables warmth from both sides, enabling this piece to connect and also redefine alfresco areas, in conjunction to exploring new avenues of contemporary design.



Specifications

- Minimalism in design
- Double glazed
- AGA gas safety and high efficiency heaters approved
- Balanced flue technology
- 1390mm landscape glass width
- Intelligent three burner technology
- Available on natural gas & LPG
- Heat output 9.15 kW
- Suitable for central house automation
- Full remote-control operation, timer and eco function
- Wi-Fi compatible with App
- Natural convection and radiant heat output
- Realistic burnt log media
- Different by design



livingfire.com.au

